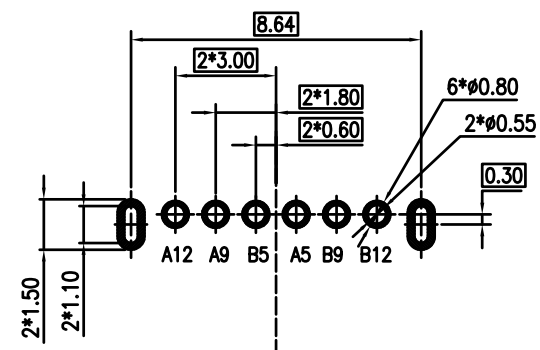
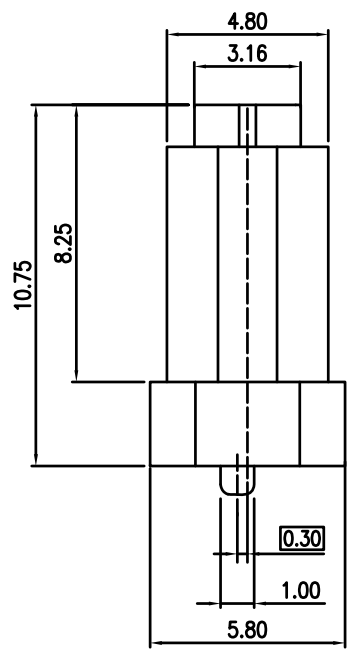
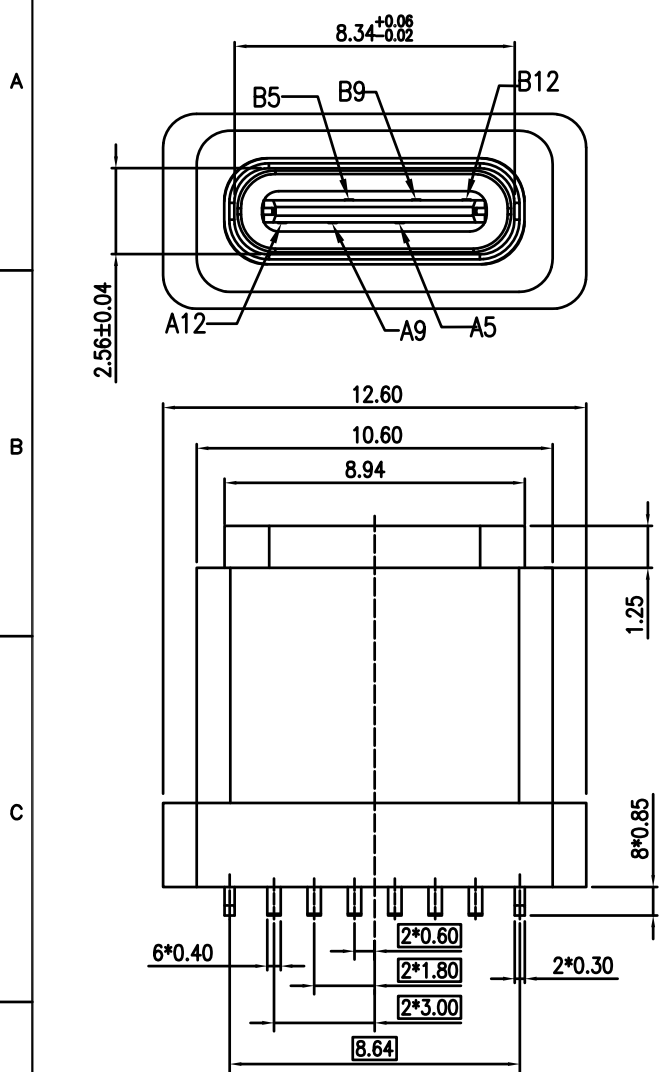




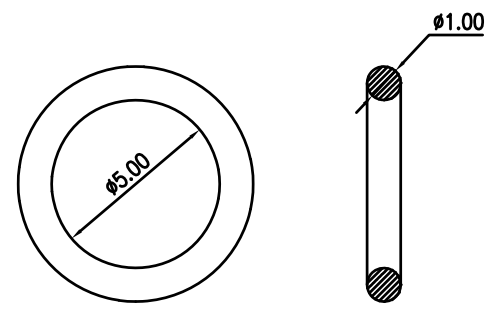
**SPECIFICATION:**

- 1.ELECTRICAL CHARACTERISTICS:  
 1.1 CURRENT RATING: 3A/ TOTAL POWER PIN  
 1.2 CONTACT RESISTANCE: 40 MILLIONHM MAX.  
 1.3 DIELECTRIC WITHSTANDING VOLTAGE: 100 VAC r.m.s  
 1.4 INSULATION RESISTNACE: 100 MEGOHMS MIN.  
 2.MECHANICAL CHARACTERISTICS  
 2.1 INSERTION FORCE: 5~20N  
 2.2 EXTRACTION FORCE: Initial:8~20N;Durability:5~20N(10000cycles);  
 2.3 DURABILITY:10000 CYCLES  
 3.ENVIRONMENTAL CHARACTERISTICS  
 3.1 TEMPERATURE RANGE: -40 °C ~ 85 °C

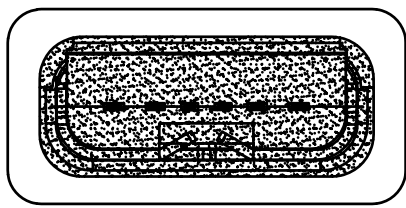
REV.	ECN NO OR DESCRIPTION	REVISED	DATE
A	PROPOSE ONLY	ERIC	2022.03.22



RECOMMENDED P.C.B LAYOUT (COMPONENT SIDE)  
 DEFAULT TOLERANCE: ±0.05mm



注：防水圈挤压量，由1.0mm挤压到0.4mm~0.5mm，防水效果好



**PIN ASSIGNMENTS:**

A5	CC1	B12	GND
A9	VBUS	B9	VBUS
A12	GND	B5	CC2
PIN	SIGNAL NAME	PIN	SIGNAL NAME

5	防水圈	硅胶	BLACK	1PCS
4	SHELL	STAINLESS STEEL	Ni/Cu Plated	1PCS
3	SHELL	PA10T	UL 94V-0 BLACK	1PCS
2	CONTACT	BRASS	Au Plated	1SET
1	MD	HIGH TEMPERATURE PLASTIC	BLACK	1PCS
NO.	DESCRIPTION	MATERIAL	REMARKS	QTY

UNLESS OTHERWISE SPECIFIED TOLERANCES		KUNMING ELECTRONICS CO., LTD.			
DECIMALS:	ANGLES:	TITLE	Type.C 6PIN 10.75MM VERTICALE CONN. RECPTACLE		
X :±0.5	X :±2'	DWN	chenjun	PART NO. KMTWR2811120601D1	
X.X :±0.30	X.X :±1'	CHKD	chenjun	SCALE:1:1	UNIT: mm
X.XX :±0.20		APVD	Kevin.d	SIZE: A4	SHEET:10F1
X.XXX :±0.10		DRAW NO. A-TWR2811120601D1		CUSTOMER COPY	