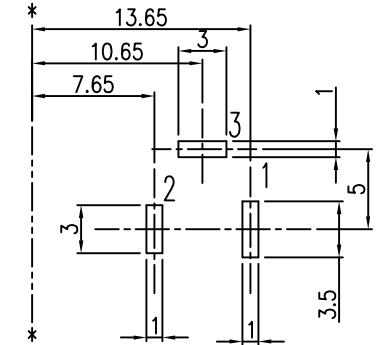
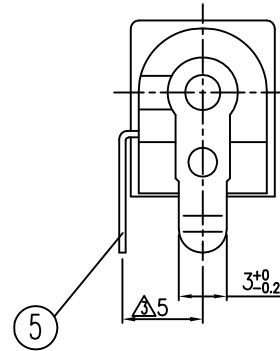
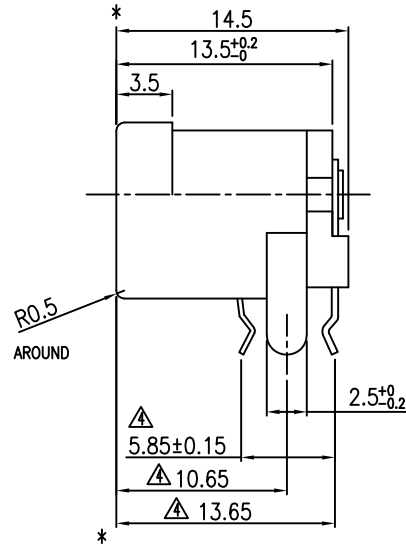
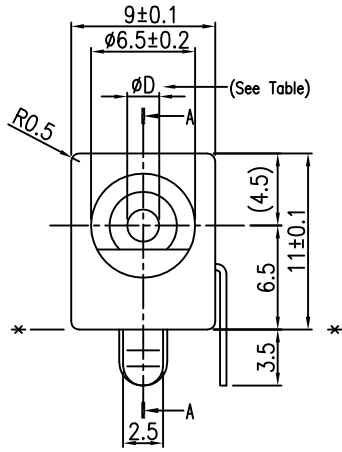


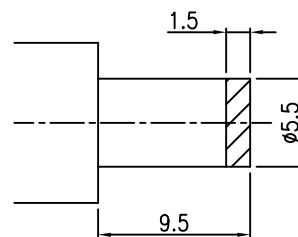
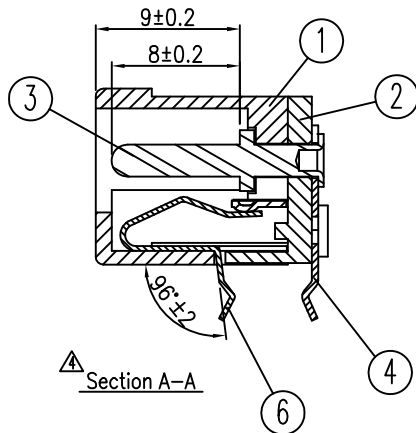
REVISIONS

LTR	DESCRIPTION	DATE	REV.	CHKD.	APVD.
△ X1	零件名稱誤記更正之	2007.06.01	LEGEND		BILL
△ X1	依簽呈字號C803001進行修正	2009.07.20	LEGEND	ALLAN	Dick Kuo
△ X2	應客戶要求增加尺寸,統一相同產品標注	2009.07.20	LEGEND	ALLAN	Dick Kuo
△ X4	修改腳位尺寸及加標尺寸,防止客戶端PCB難插(C03090158)	2009.10.08	LEGEND	ALLAN	Dick Kuo



P.C.B Layout Dimension(Tolerance:±0.1)
(Recommend min. Dimension)(Bottom View)

MODEL NO.	HTJ-020-05AZ
DIMESION D	ø2±0.05
SCHEMATIC	1
	2



MATE PLUG

QTY	MATERIAL
6	TIP SPRING (2) 1 COPPER ALLOY t=0.30
5	BREAK TERMINAL (3) 1 BRASS t=0.40
4	TERMINAL (1) 1 BRASS t=0.40
3	PIN 1 COPPER
2	COVER 1 PBT+30%GF UL94V-0
1	HOUSING 1 PBT+30%GF UL94V-0

Please refer color combination list.

LTR	PART NO.	QTY	MATERIAL	REMARK
120~315	±0.5	DWN	LEGEND	DATE 2007.06.01
30~120	±0.35	DSND	C.W.FENG	DATE 1992.09.05
6~30	±0.22	CHKD	BILL	DATE 2007.06.08
BELOW 6	±0.16	APVD	BILL	DATE 2007.06.08

SCALE	N/A	NAME	DC POWER JACK
PROJECTION			
CAT. NO.	HTJ-020-05AZ	DWN.NO.	A-02005AZ
UNIT: mm			

DIMENSION	TOLERANCE
120~315	±0.5
30~120	±0.35
6~30	±0.22
BELOW 6	±0.16

KUNMING ELECTRONICS CO.,LTD.

DWN.NO. A-02005AZ 1/1 D

UNLESS OTHERWISE SPECIFIED, TOLERANCE ON DECIMAL:±0.3 ANGLES:±5°