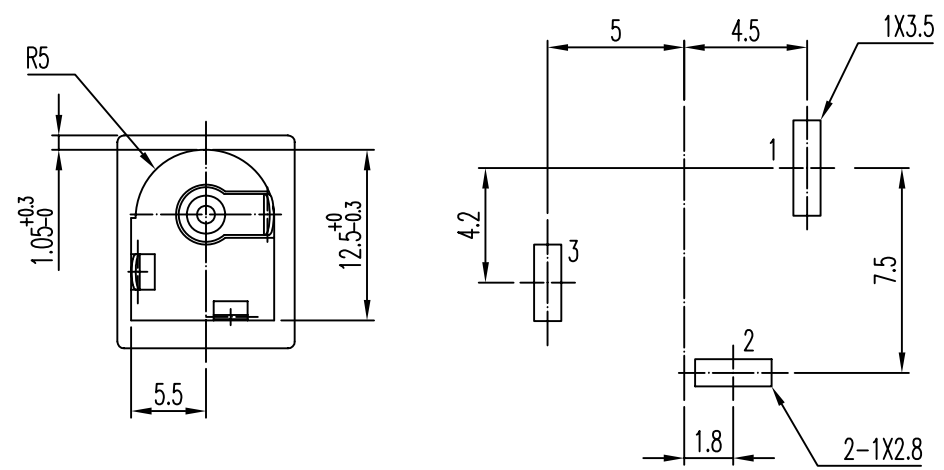
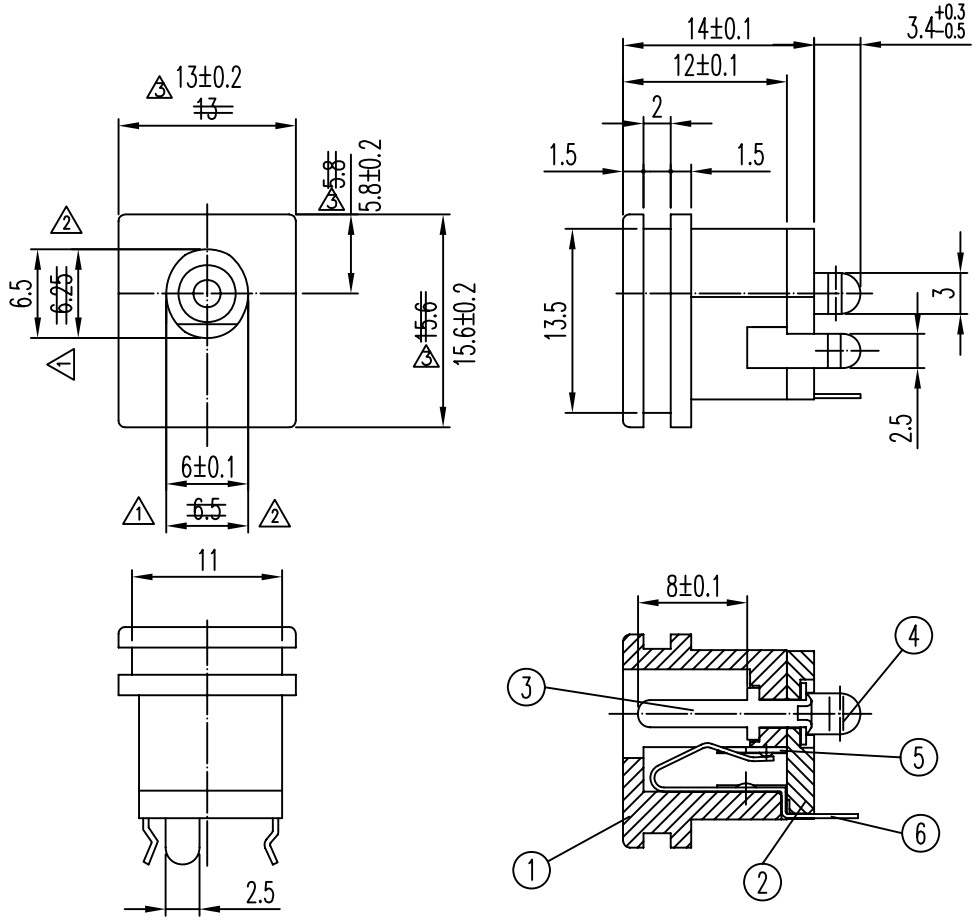
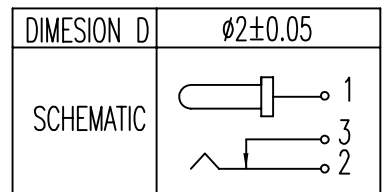
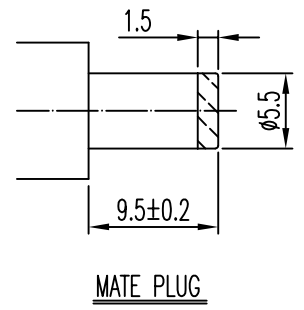


REVISIONS				
LTR	DESCRIPTION	DATE	REVISED	APPROVED
△ x2	客戶要求變更外觀,增加部分肉厚	2002.11.05	STEVEN	JOHNSON
△ x4	改善電氣不良情形,變更成品料號	2003.01.03	STEVEN	JOHNSON
△ x3	客戶要求變更公差,取消防火等級	2006.11.16	MIKE	FOH
△ x2	應客戶要求,補上防火等級.	2006.12.05	MIKE	ALLAN



P.C.B Layout Dimension (Tolerance:±0.1)  
(Recommend min.Dimension)(bottom view)



6	TIP SPRING(2)	1	C5210 , t=0.3	MB:CU	AG	PLATED
5	BREAK TERMINAL(3)	1	C2680 , t=0.4	MB:CU	AG	PLATED
4	TERMINAL(1)	1	C2680 , t=0.4	MB:CU	AG	PLATED
3	PIN	1	COPPER	MB:CU	NI	PLATED
2	COVER	1	PBT+30%GF (BLACK)	UL-94V-0	UL-94V-0	UL-94V-0
1	HOUSING	1	PBT+30%GF (BLACK)	UL-94V-0	UL-94V-0	UL-94V-0
LTR	PART NAME	QTY	MATERIAL	REMARK		
DSND	STEVEN	DATE	2001.05.11	SCALE /	NAME DC POWER JACK	
DWN	MIKE	DATE	2006.12.05			
CHKD	ALLAN	DATE	2006.12.05	PROJECTION	CAT. NO. △ KM02009BB	
APVD	JOHNSON	DATE	2006.12.06			
KUNMING ELECTRONICS CO.,LTD.					DWN.NO.	1/1
					△ A-02009BB	C