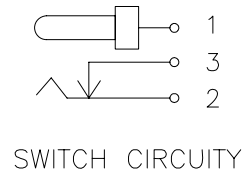
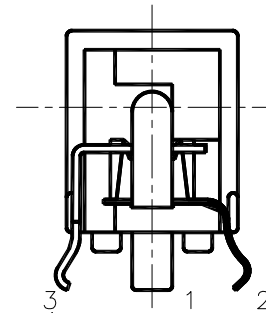
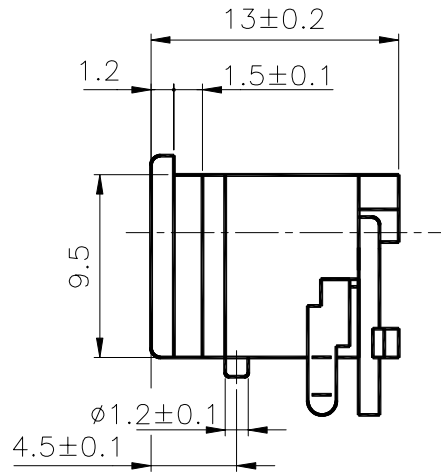
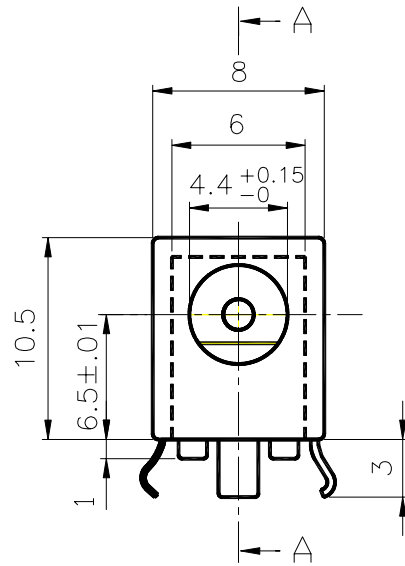
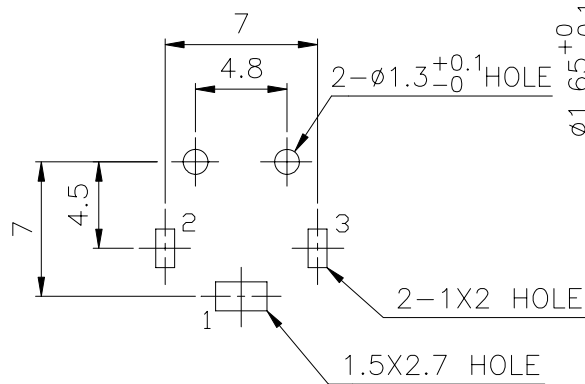


REVISIONS

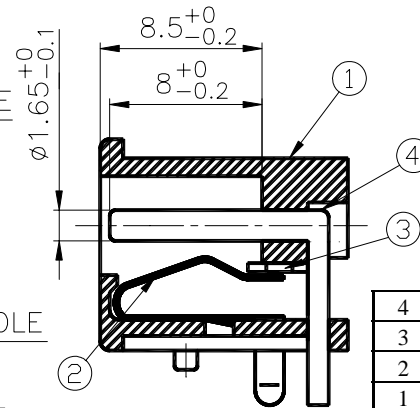
LTR	DESCRIPTION	DATE	REVISED	APPROVED
△ x 1	更改鍍層參照顏色料號對照表.	2005.05.11	JOLLY	JOHNSON



TERMINAL NO: (1.2.3)



HOLE LAYOUT REFERENCE  
(BOTTOM VIEW)  
TOLERANCE ±0.1



SECTION A-A

LTR	PART NAME	QTY	MATERIAL	REMARK
4	PIN	1	BRASS	△Please refer color combination list.
3	SHUNT TERMINAL	1	C2680 t=0.4	
2	TIP SPRING	1	Ti-Cu t=0.25	
1	HOUSING	1	PA9T	

LTR	PART NAME	QTY	MATERIAL	REMARK
DSND	PILLAR	DATE	2004.06.17	NAME DC POWER JACK CAT. No. KM02016
DWN	JOLLY	DATE	2005.05.11	
CHKD	JOHNSON	DATE	2005.05.11	
APVD	ERIC	DATE	2005.05.11	

<b>KUNMING ELECTRONICS CO., LTD.</b>				DWN. No. A-02016	1/1 B
--------------------------------------	--	--	--	---------------------	----------

UNLESS OTHERWISE SPECIFIED, TOLERANCE ON DECIMAL: ±0.3

ANGES: ±5°