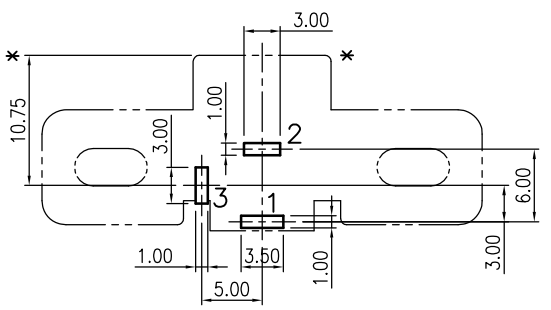
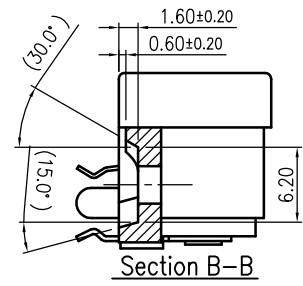
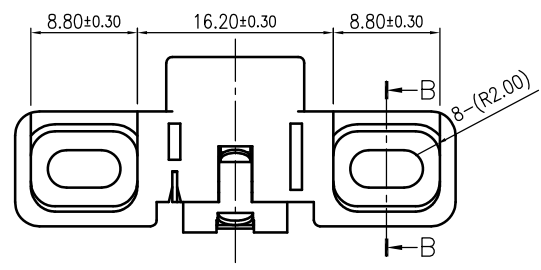
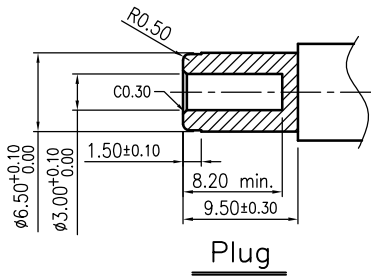
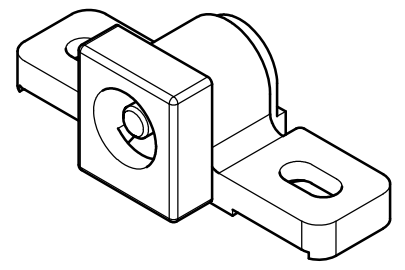
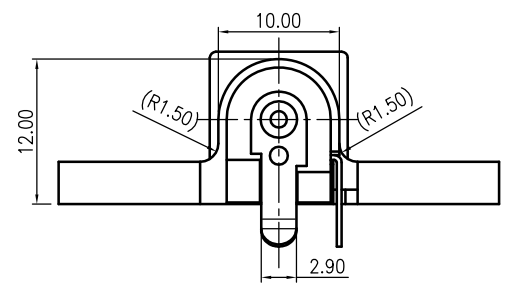
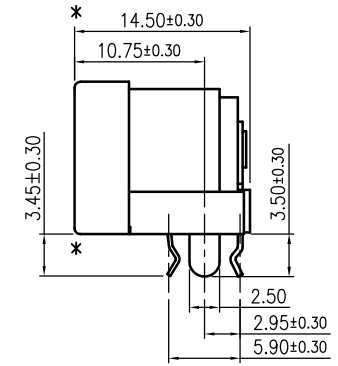
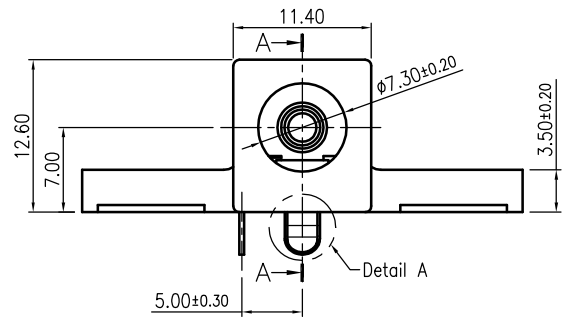
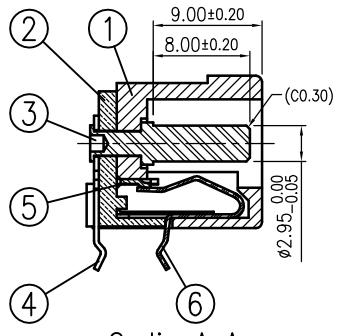
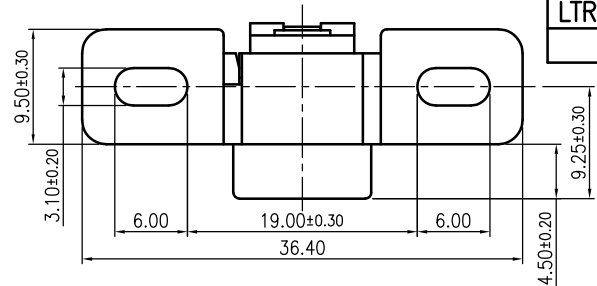
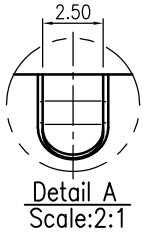
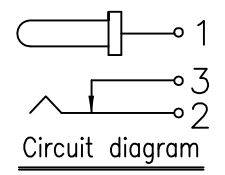


REVISIONS					
LTR	DESCRIPTION	DATE	REV.	CHKD.	APVD.



PCB Layout Dimension (Tolerance: ±0.10)
(Recommend min. Dimension)(Bottom View)



6	TIP SPRING(2)	1	Copper Alloy t=0.30	MBCu2 μ m-Ag0.6 μ m
5	BREAK TERMINAL(3)	1	Brass t=0.40	MBCu2 μ m-Ag0.6 μ m
4	TERMINAL(1)	1	Brass t=0.40	MBCu2 μ m-Ag0.6 μ m
3	PIN	1	Copper	MBCu1 μ m-Ni1.5 μ m
2	COVER	1	PBT+GF UL 94V-0	Black
1	HOUSING	1	PBT+GF UL 94V-0	Black

LTR	PART NAME	Q'TY	MATERIAL	REMARK				
120~315	±0.50	DWN	郭素玲	DATE 2014.02.18	SCALE 1.6/1	NAME DC POWER JACK		
30~120	±0.35	DSND	郭素玲	DATE 2014.02.18				
6~30	±0.22	CHKD	郭遠峰	DATE 2014.02.18	PROJECTION	CAT. NO. KM02031EBMP		
BELOW 6	±0.16	APVD	郭遠峰	DATE 2014.02.18			UNIT:mm	
DIMENSION TOLERANCE					KUNMING ELECTRONICS CO.,LTD.		DWN.NO. A-02031EBMP	1/1 001

SONY specifies the raw material is SS-00259 the latest version of document requests, and purchased from the SONY specified raw materials suppliers.