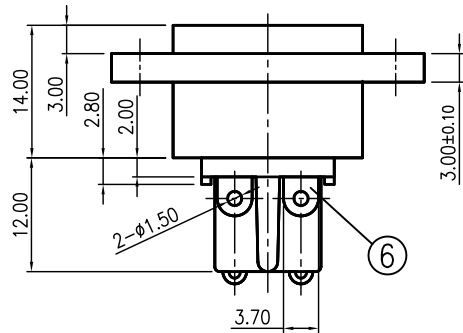
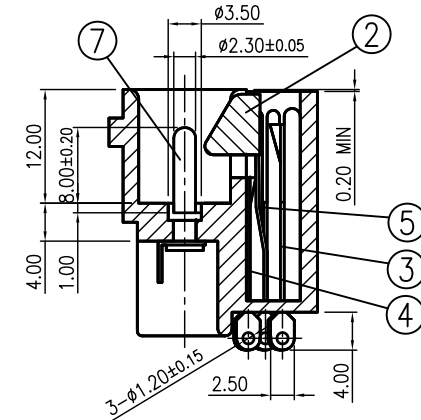
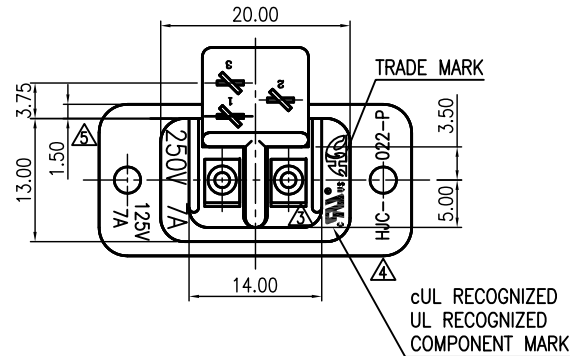
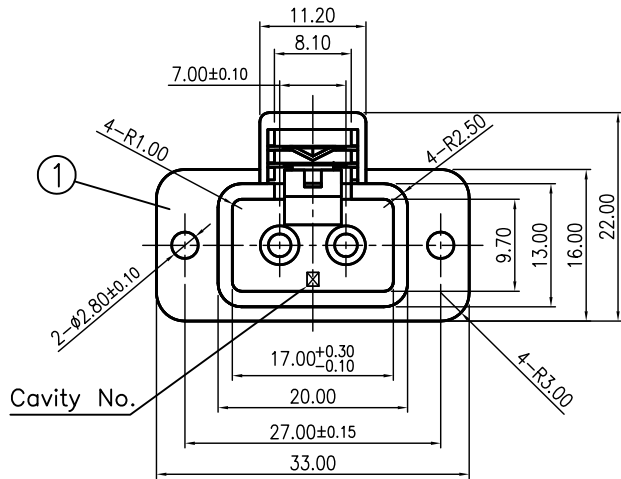


REVISIONS					
LTR	DESCRIPTION	DATE	REV.	CHKD.	APVD.
△x1	修正CSA認證編號	2005.05.27	姜鳳梅		夏正雄
△x2	修正CSA認證編號	2008.05.10	賴黎明		陸昌妹
△x1	修正UL Logo標誌	2008.05.10	賴黎明		陸昌妹
△x1	To change the mark of housing (EGR C03150547)	2015.07.07	陳衛兵	張啟濤	陳宗碧
△x2	Cancel the CSA mark (CSA Reference No)EGR C03150547	2018.08.10	李阮龍	李阮龍	李阮龍



Note:
 △△ Approved Standard:UL&cUL FILE NO.E95834

7	PIN	2	C3101	MBCu-Ni plated
6	TERMINAL	2	C2680 t=0.40	MBCu-Sn plated
5	TIP SPRING	1	C5210 t=0.35	MBCu-Ag plated (NO.2)
4	SHUNT SPRING	1	C2680 t=0.30	MBCu-Ag plated (NO.1)
3	SHUNT SPRING	1	C2680 t=0.40	MBCu-Ag plated (NO.3)
2	SEPARATOR	1	PBT	Black
1	HOUSING	1	PBT+15%GF	Black

LTR	PART NAME	Q'TY	MATERIAL	REMARK
120~315	±0.50	DWN	賴黎明	DATE 2008.05.10
30~120	±0.35	DSND	MLCHANG	DATE 1992.11.25
6~30	±0.22	CHKD	廖秋妹/陸昌妹	DATE 2008.05.22
BELOW 6	±0.16	APVD	夏正雄	DATE 2008.05.23
DIMENSION TOLERANCE				KUNMING ELECTRONICS CO.,LTD.
				SCALE 1.25/1
				PROJECTION
				NAME AC POWER SOCKET
				CAT. NO. HJC-022-P
				DWN.NO. A-022-P
				1/1 E-001

UNLESS OTHERWISE SPECIFIED, TOLERANCE ON DECIMAL:±0.30 ANGLES:±5°

The raw material specified by Sony should meet SS-00259 requirement of the latest version. When such material is used, it should be supplied by Sony designated suppliers.