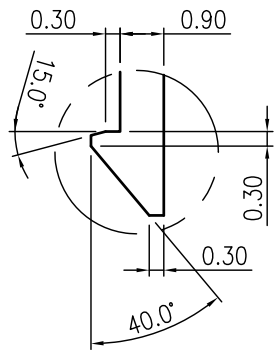
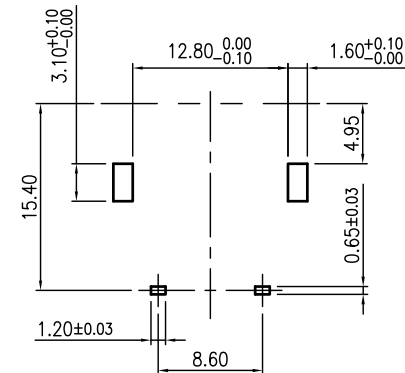
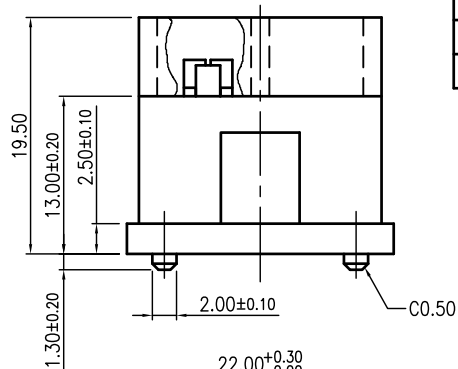


1 2 3 4 5 6

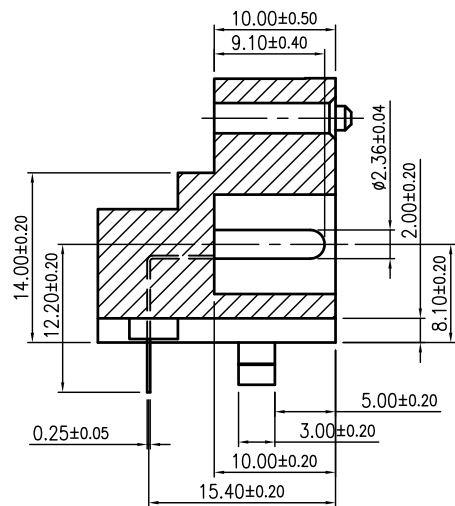
REVISIONS					
LTR	DESCRIPTION	DATE	REV.	CHKD.	APVD.
△x2	Cancel the CSA mark (CSA Reference No) ECR C03150547	2018.08.10	李阮龍	李阮龍	李阮龍



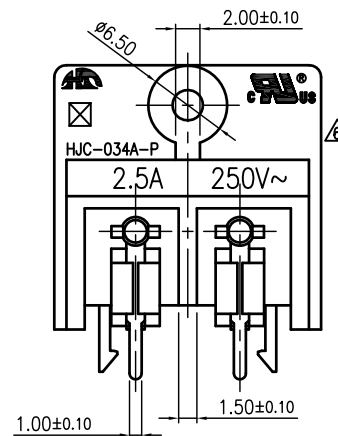
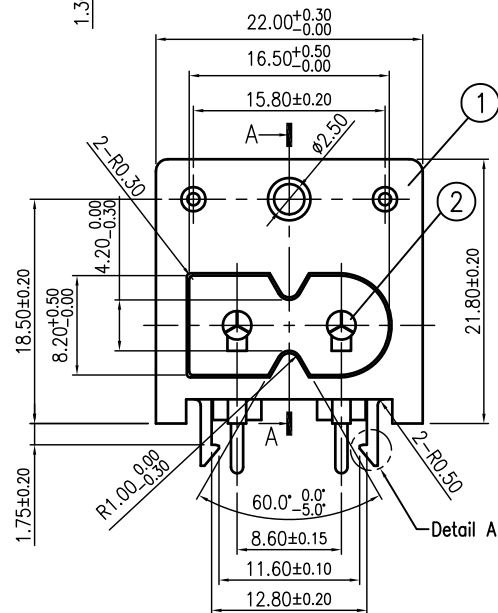
Detail A
Scale:4:1



PCB Layout Dimension (Tolerance:±0.10)
(Recommend min. Dimension)(Bottom View)



Section A-A



Note:
Approved Standard:
UL&cUL FILE NO. E95834

2	PIN	2	C2680-H t=0.25	MB:Cu Sn
1	HOUSING	1	NYLON66+15%GF (NAN YA 6410G3) UL94V-0	Black
LTR	PART NAME	Q'TY	MATERIAL	REMARK
120~315	±0.50	DWN	鐘昌明	DATE 2003.12.19
30~120	±0.35	DSND	吳忠信	DATE 2001.02.03
6~30	±0.22	CHKD	夏正雄	DATE 2003.12.24
BELOW 6	±0.16	APVD	龔云輝	DATE 2003.12.24
DIMENSION	TOLERANCE	KUNMING ELECTRONICS CO.,LTD.		DWN.NO. A-034AP
				SCALE N/A
				PROJECTION
				NAME AC POWER SOCKET
				CAT. NO. HJC-034A-P
				1/1
				D-001

UNLESS OTHERWISE SPECIFIED, TOLERANCE ON DECIMAL:±0.30 ANGLES:±5°

The raw material specified by Sony should meet SS-00259 requirement of the latest version. When such material is used, it should be supplied by Sony designated suppliers.