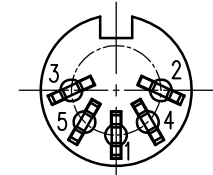
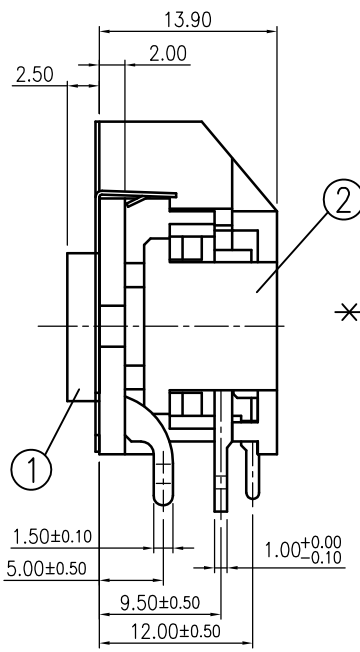
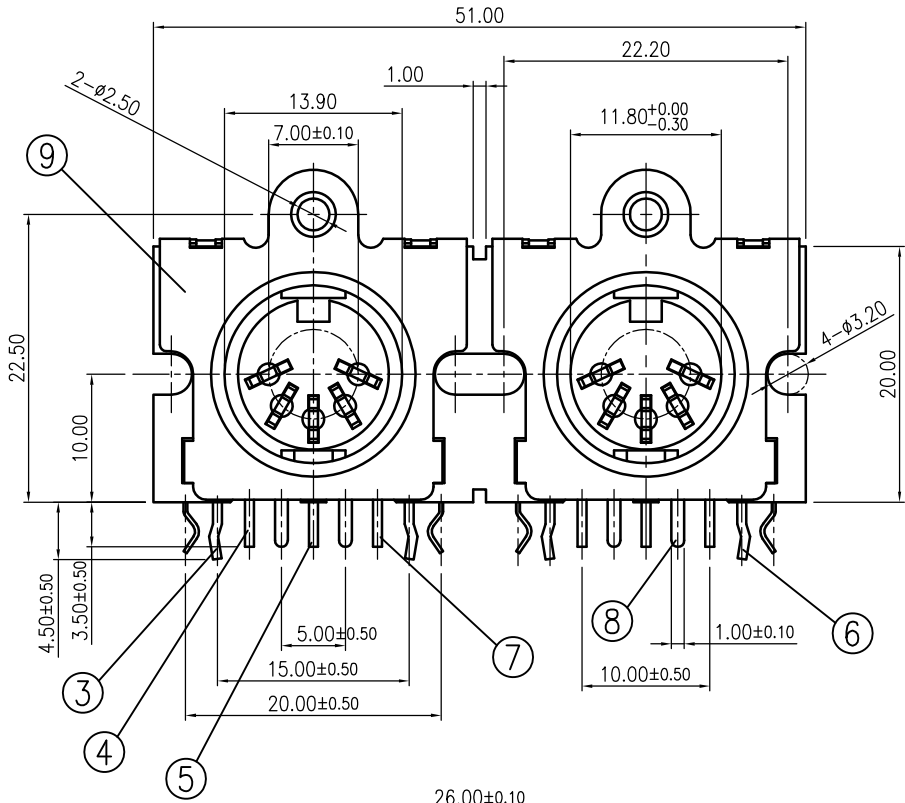
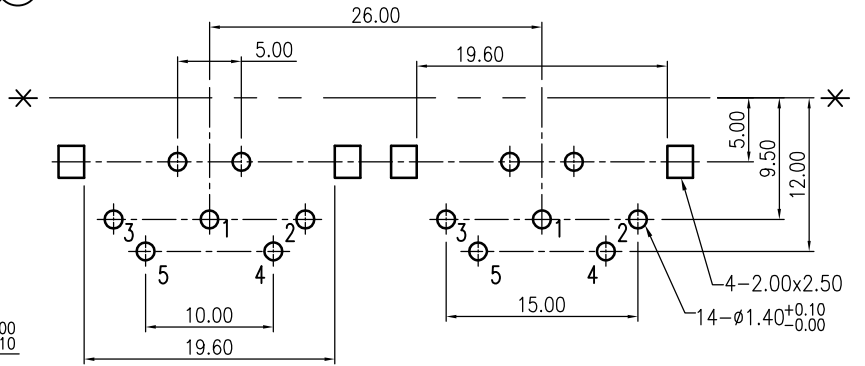


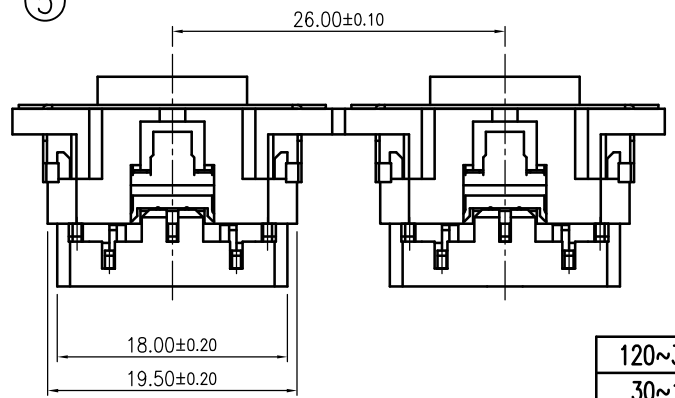
REVISIONS					
LTR	DESCRIPTION	DATE	REV.	CHKD.	APVD.
△x2	HOUSING/COVER材質更改, 合并圖面	2006.10.26	姜鳳梅		夏正雄
△x1	To change the material (CEN080007)	2013.01.18	銀 晶	張啓濤	郭素玲
△x1	To revise the drawing by official letter.(C803001)	2013.01.18	銀 晶	張啓濤	郭素玲



PIN LAYOUT TO INSERT PLUG



P.C.B Layout Dimension(Tolerance:±0.1)
(Recommend min. Dimension)(Bottom View)



QTY	PART NAME	MATERIAL	REMARK
2	SEALED PLATE	Ferro Alloy t=0.30	MBCu2μm-Sn3μm
2	TIP SPRING	Copper Alloy △ t=0.20	MBCu2μm-Sn3μm
2	TERMINAL	Brass t=0.70	MBCu2μm-Sn3μm
2	TERMINAL	Brass t=0.70	MBCu2μm-Sn3μm
2	TERMINAL	Brass t=0.70	MBCu2μm-Sn3μm
2	TERMINAL	Brass t=0.70	MBCu2μm-Sn3μm
2	TERMINAL	Brass t=0.70	MBCu2μm-Sn3μm
2	COVER	PPO △ UL 94V-1	Black
1	HOUSING	PPO △ UL 94V-1	Black

LTR	PART NAME	Q'TY	MATERIAL	REMARK
120~315	±0.5	DWN	姜鳳梅	DATE 2006.06.16
30~120	±0.35	DSND	JAER	DATE 1996.09.10
6~30	±0.22	CHKD	夏正雄	DATE 2006.06.16
BELOW 6	±0.16	APVD	夏正雄	DATE 2006.06.16
KUNMING ELECTRONICS CO.,LTD.				SCALE 1.6/1
UNLESS OTHERWISE SPECIFIED, TOLERANCE ON DECIMAL:±0.30 ANGLES: ±5°				PROJECTION
				CAT. NO. HDC-052A_-12_
				UNIT: mm
				DWN.NO. A-052A12
				1/1
				C