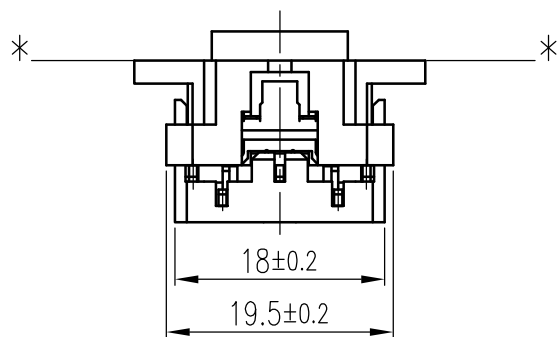


T:1.6 P.C.B Layout Dimension(Tolerance:±0.1)
(Recommend min.Dimension)(Bottom View)



REVISIONS					
LTR	DESCRIPTION	DATE	REV.	CHKD.	APRD.
△X2	HOUSING,COVER材質變更	2006.06.16	Paul		BILL
△X1	依據字號C803001進行修正	2009.11.10	LENGEN	ALLAN	Dick Kuo

△	QTY	MATERIAL(THICK,COLOR)	REMARK
8	1	Copper Alloy t=0.2mm	MBCu2-Sn3
7	1	Brass t=0.7mm	MBCu2-Sn3
6	1	Brass t=0.7mm	MBCu2-Sn3
5	1	Brass t=0.7mm	MBCu2-Sn3
4	1	Brass t=0.7mm	MBCu2-Sn3
3	1	Brass t=0.7mm	MBCu2-Sn3
2	1	PPO △ UL 94V-1	BLACK
1	1	PPO △ UL 94V-1	BLACK

LTR	PART NAME	QTY	MATERIAL(THICK,COLOR)	REMARK
120~315	±0.5	DWN	Paul	DATE 2006.06.16
30~120	±0.35	DSND	JOHNSON	DATE 1996.09.10
6~30	±0.22	CHKD	BILL	DATE 2006.06.16
BELOW 6	±0.16	APVD	JOHNSON	DATE 2006.06.21

DIMENSION	TOLERANCE	KUNMING ELECTRONICS CO.,LTD.		DWN.NO.	1/1
				A-052AP-01	C

UNLESS OTHERWISE SPECIFIED, TOLERANCE ON DECIMAL: ±0.3 ANGLES: ±5°