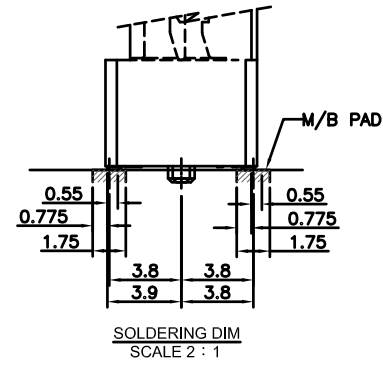
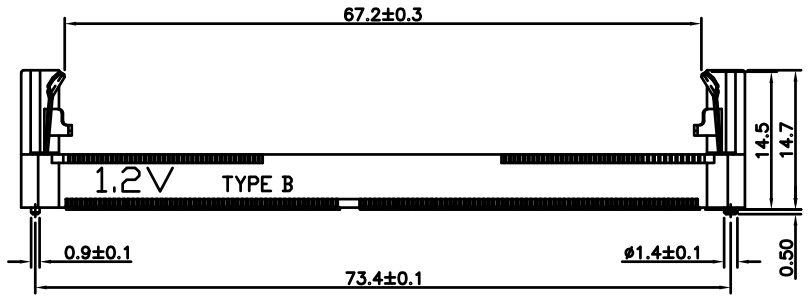
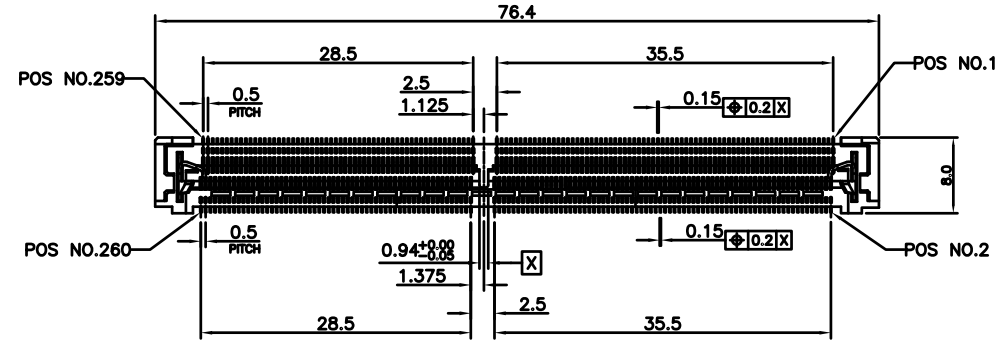


1 2 3 4 5 6

REVISIONS					
LTR	DESCRIPTION	DATE	REV.	CHKD.	APVD.

SPECIFICATION:

1. Current Rating: 0.5A
2. Voltage Rating: 25V AC
3. Contact Resistance: 55mΩ max.
4. Insulation Resistance: 500MΩ Min.
5. Dielectric Withstanding Voltage : 300VAC
6. Durability : 25 Cycle
7. Operating Temperature Range : -55°C~+85°C
8. Must Be Measured Floating Amount of Contact Tails From Datum Surface is 0.1mm Max.

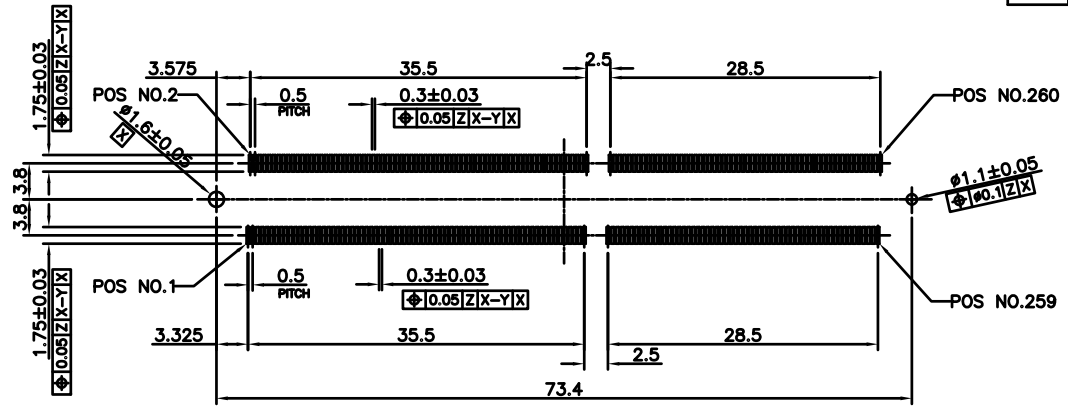


NO.	PART NAME	DESCRIPTION
3	METAL LATCH	SUS
2	TERMINAL	PHOSPHOR BRONZE, GOLD PLATED OVER NICKEL
1	HOUSING	LCP, UL94V-0, BLACK

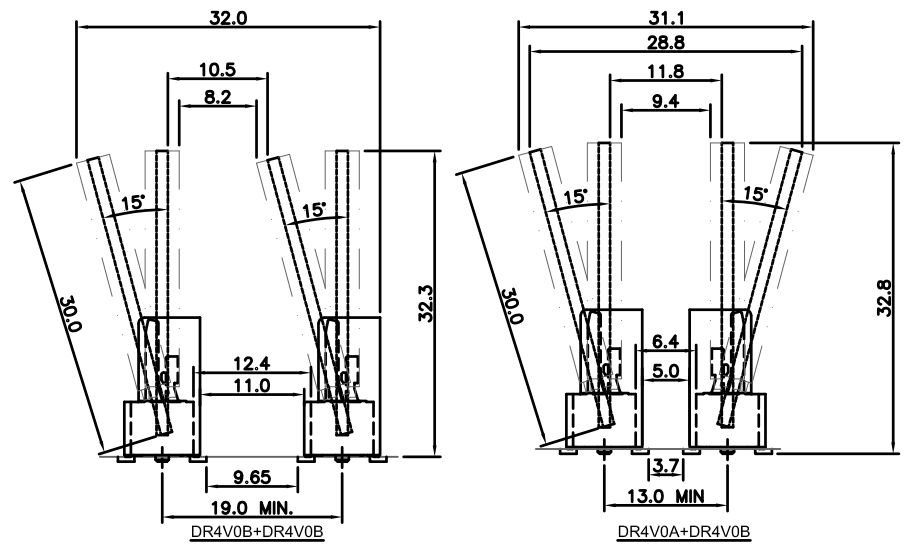
120~315	±0.50	DWN	王淳新	DATE	2020.10.05	SCALE 1.25/1 PROJECTION UNIT:mm	NAME SO-DIMM DDR4 CAT. NO. KMCX4DR4V0B11	
30~120	±0.35	DSND	王淳新	DATE	2020.10.05			
6~30	±0.25	CHKD	李阮龍	DATE	2020.10.05			
BELOW 6	±0.20	APVD	郭遠峰	DATE	2020.10.05			
DIMENSION	TOLERANCE	KUNMING ELECTRONICS CO.,LTD.					DWN.NO. A-CX4DR4V0B11	1/3 001

A
B
C
D
E

REVISIONS					
LTR	DESCRIPTION	DATE	REV.	CHKD.	APVD.



RECOMMEND P.C.BOARD LAYOUT
TOLERANCES : ±0.03



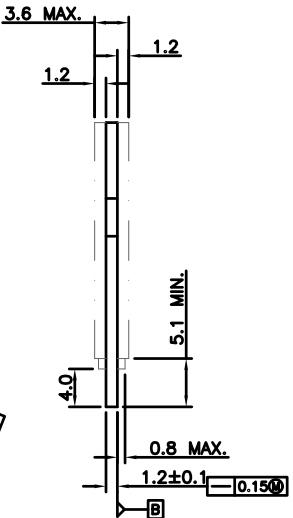
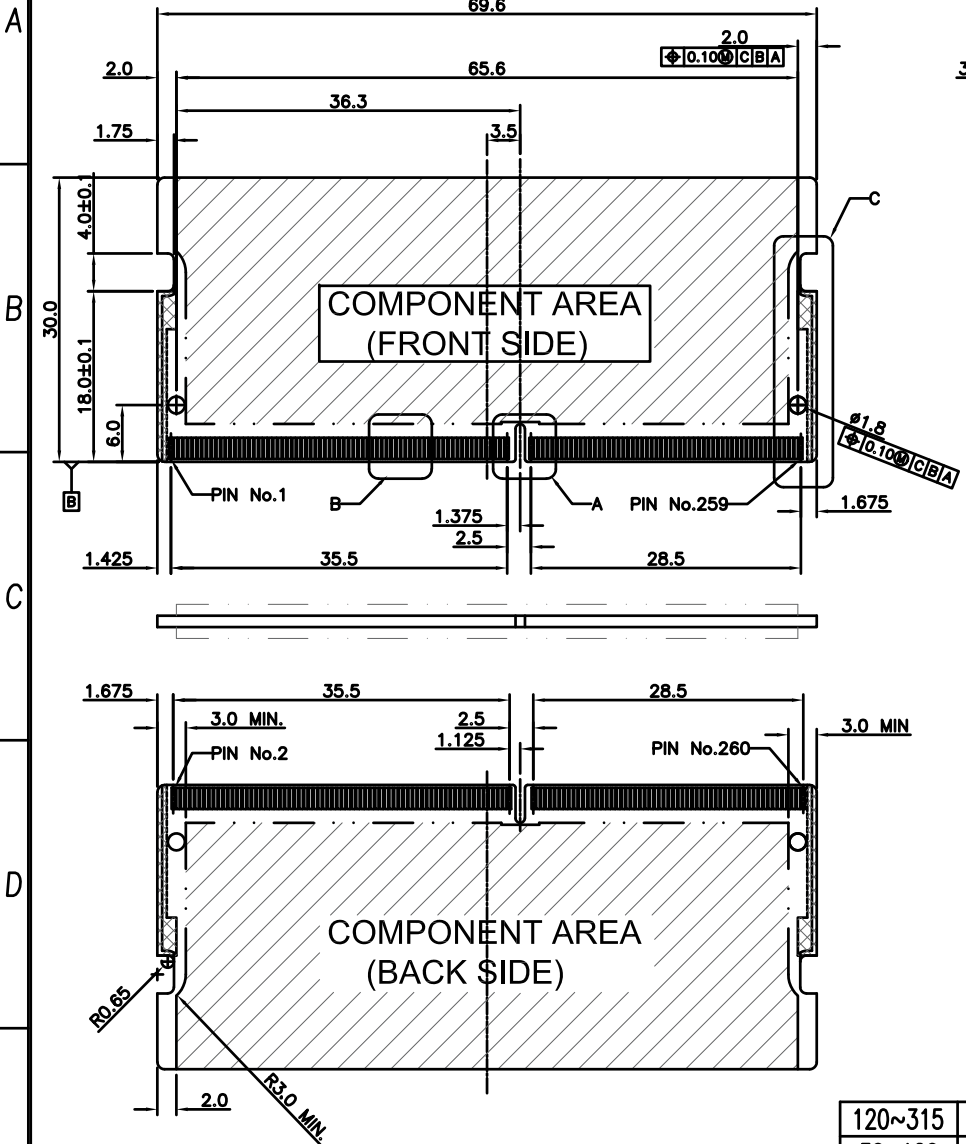
RECOMMENDED SOCKET LAYOUT DIMENSIONS

NOTES:

- TOLERANCES ON ALL DIMENSION ±0.15 UNLESS OTHERWISE SPECIFIED.

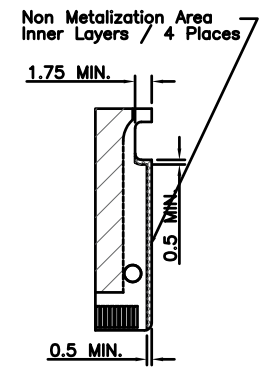
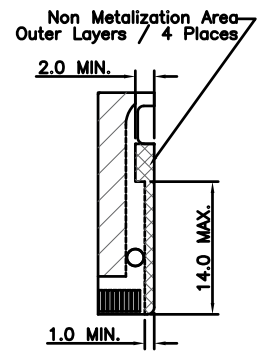
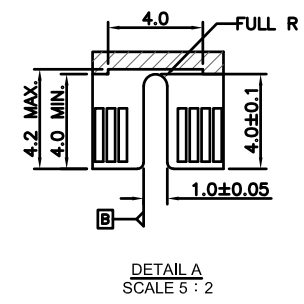
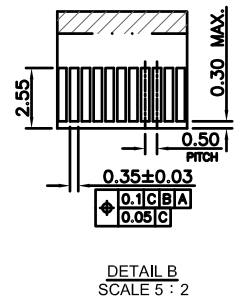
120~315	±0.50	DWN	王淳新	DATE	2020.10.05	SCALE 1.25/1 PROJECTION	NAME	
30~120	±0.35	DSND	王淳新	DATE	2020.10.05		SO-DIMM DDR4	
6~30	±0.25	CHKD	李阮龍	DATE	2020.10.05	UNIT:mm	CAT. NO.	
BELOW 6	±0.20	APVD	郭遠峰	DATE	2020.10.05		KMCX4DR4V0B11	
DIMENSION	TOLERANCE	KUNMING ELECTRONICS CO.,LTD.					DWN.NO.	2/3
							A-CX4DR4V0B11	001

REVISIONS					
LTR	DESCRIPTION	DATE	REV.	CHKD.	APVD.



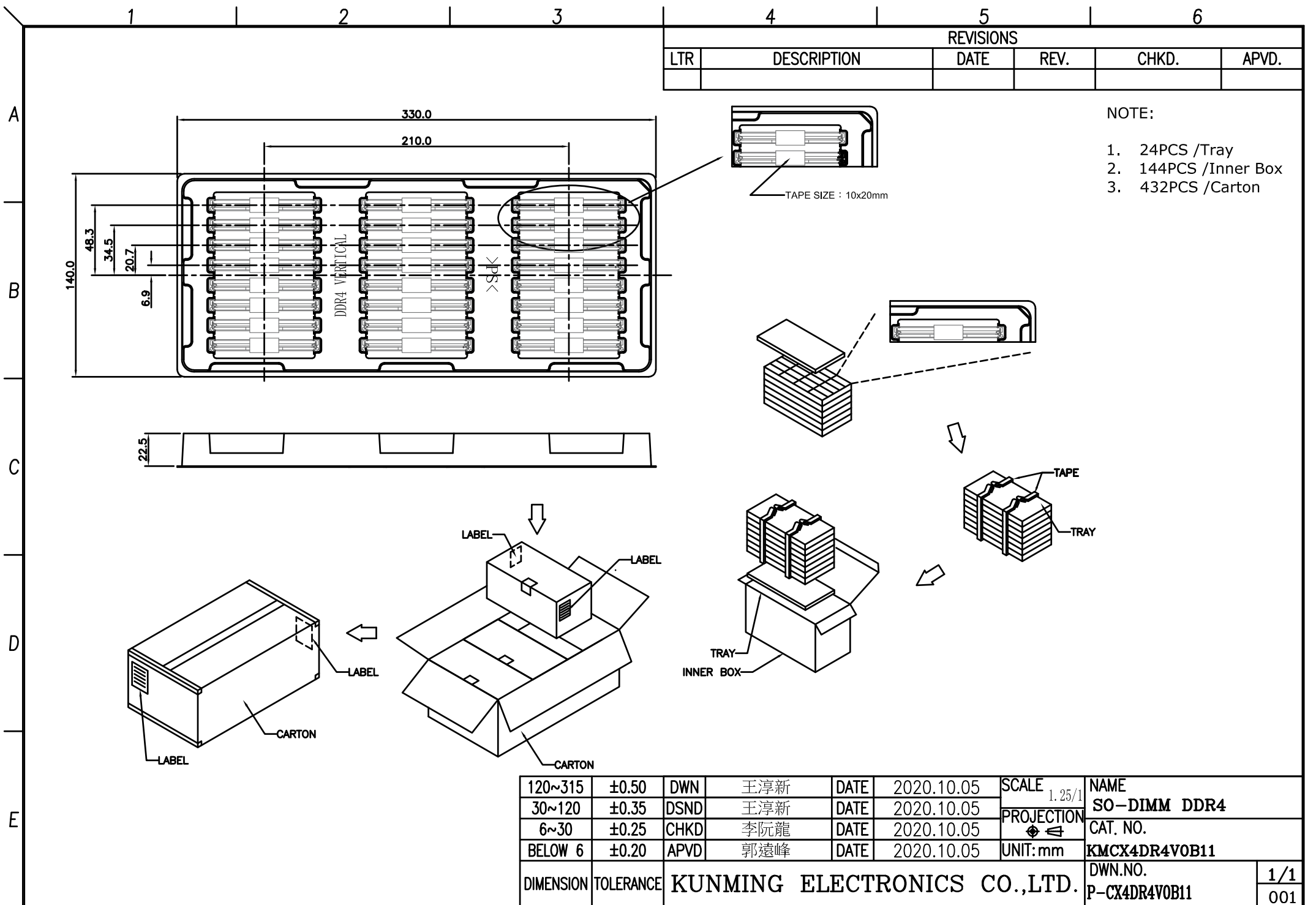
NOTES:

- TOLERANCES ON ALL DIMENSION ± 0.15 UNLESS OTHERWISE SPECIFIED.



RECOMMEND MATING
P.C.BOARD DIM.

120~315	±0.50	DWN	王淳新	DATE	2020.10.05	SCALE 1.25/1	NAME SO-DIMM DDR4	
30~120	±0.35	DSND	王淳新	DATE	2020.10.05			
6~30	±0.25	CHKD	李阮龍	DATE	2020.10.05	PROJECTION 	CAT. NO. KMCX4DR4V0B11	
BELOW 6	±0.20	APVD	郭遠峰	DATE	2020.10.05			UNIT:mm
DIMENSION	TOLERANCE	KUNMING ELECTRONICS CO.,LTD.					DWN.NO. A-CX4DR4V0B11	3/3 001



REVISIONS					
LTR	DESCRIPTION	DATE	REV.	CHKD.	APVD.

- NOTE:
- 24PCS /Tray
 - 144PCS /Inner Box
 - 432PCS /Carton

120~315	±0.50	DWN	王淳新	DATE	2020.10.05	SCALE 1.25/1 PROJECTION	NAME SO-DIMM DDR4 CAT. NO. KMCX4DR4V0B11	
30~120	±0.35	DSND	王淳新	DATE	2020.10.05			
6~30	±0.25	CHKD	李阮龍	DATE	2020.10.05	UNIT:mm	DWN.NO. P-CX4DR4V0B11	
BELOW 6	±0.20	APVD	郭遠峰	DATE	2020.10.05			
DIMENSION	TOLERANCE	KUNMING ELECTRONICS CO.,LTD.						1/1 001