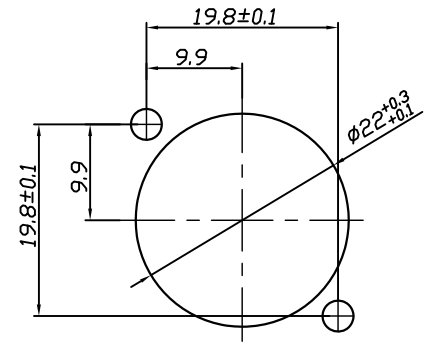
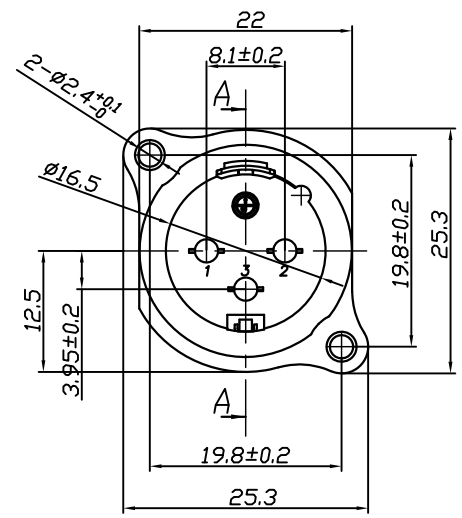
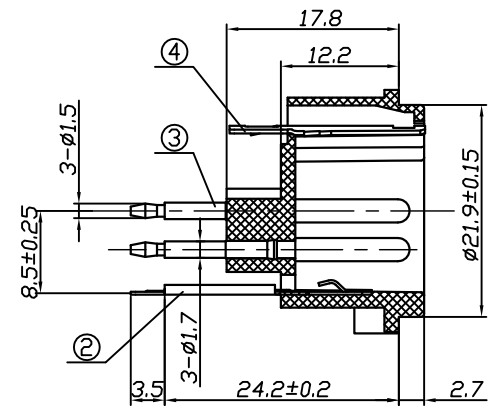
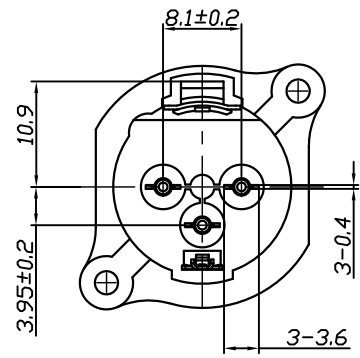
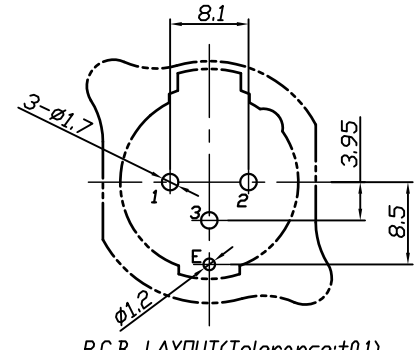
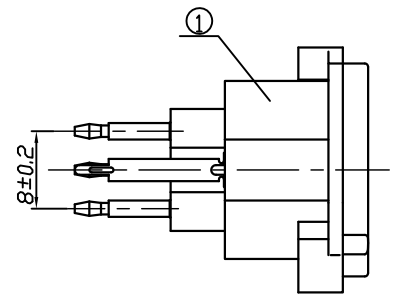


1 2 3 4 5 6

REVISIONS					
LTR	DESCRIPTION	DATE	REV.	CHKD.	APVD.



CHASSIS MOUNTING HOLES



P.C.B. LAYOUT (Tolerance:±0.1)
(TOP VIEW)

④	SLEEVE	1	BRASS	NI-PLATED	
③	CONTACT PIN	1, 2, 3	BRASS	AU-PLATED	
②	EARTH TERMINAL	E	PHOSPHOR BRONZE	CuSn-PLATED	
①	HOUSING	1	NYLON(PA66 G20) BLACK		
NO.	PART NAME	TER' NO.	QTY	MATERIAL	FINISH & REMARK

120~315	±0.50	DWN	王安盛	DATE	2019.10.05	SCALE 1.25/1	NAME 3PIN MALE XLR CONNECTORJACK	
30~120	±0.35	DSND	王安盛	DATE	2019.10.05			
6~30	±0.25	CHKD	李阮龍	DATE	2019.10.05	PROJECTION ⊕	CAT. NO. KMCLR306MV	
BELOW 6	±0.20	APVD	郭遠峰	DATE	2019.10.05			UNIT:mm
DIMENSION	TOLERANCE	KUNMING ELECTRONICS CO.,LTD.				DWN.NO.	1/1	
							A-XLR306MV	001

A
B
C
D
E