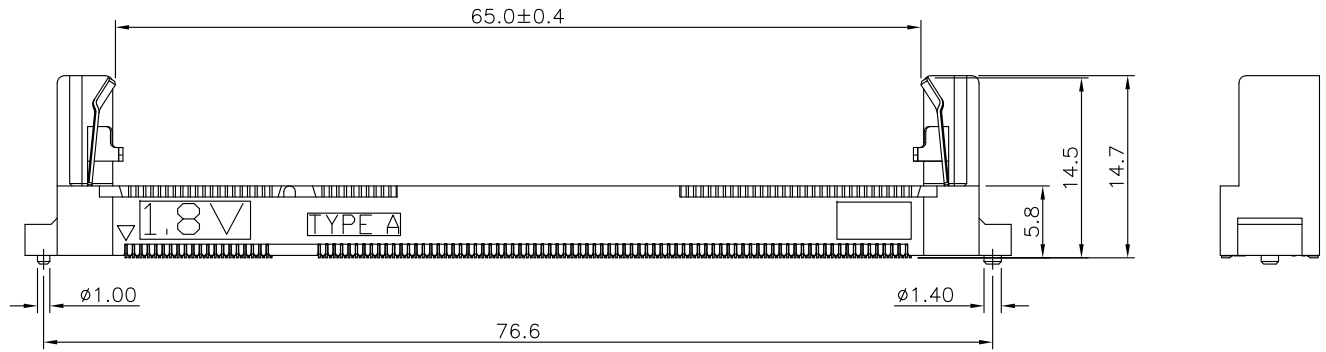
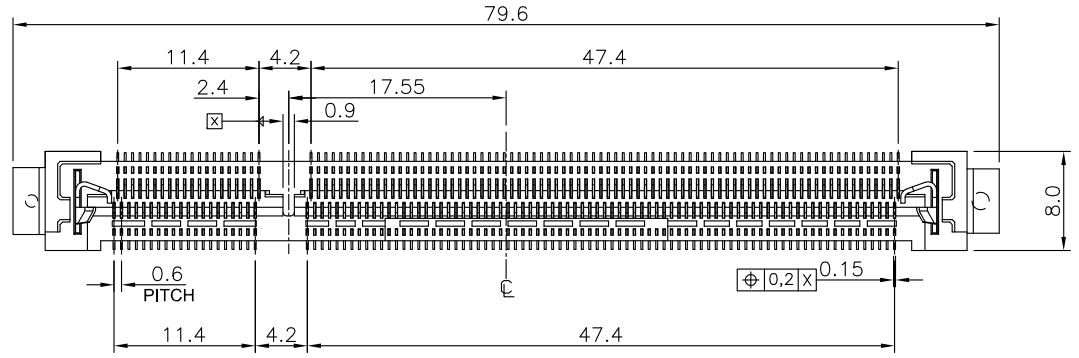


1 2 3 4 5 6

REVISIONS					
LTR	DESCRIPTION	DATE	REV.	CHKD.	APVD.

SPECIFICATION:

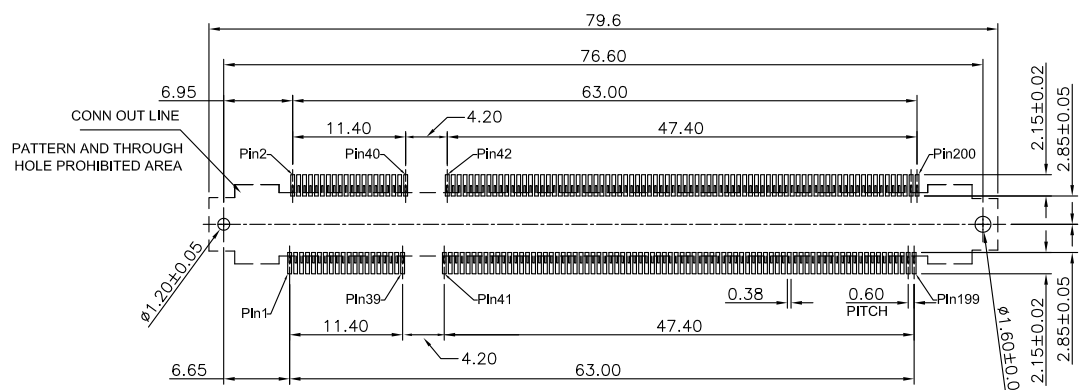
1. Current Rating: 0.5A
2. Voltage Rating: 25V AC
3. Contact Resistance: 60mΩ max.
4. Insulation Resistance: 500MΩ Min.
5. Dielectric Withstanding Voltage : 125VAC
6. Durability : 25 Cycle
7. Operating Temperature Range : -40°C~+85°C



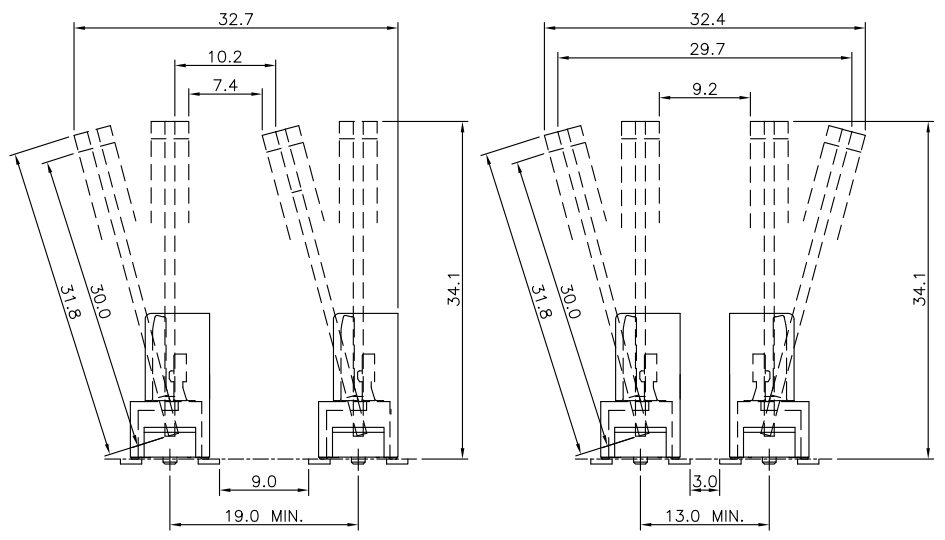
120~315	±0.50	DWN	王淳新	DATE	2019.01.25	SCALE 1.6/1	NAME SO-DIMM DDR2, Vertical, Standard Type, 0.6mm Pitch, 200Pin, 1.8V	
30~120	±0.35	DSND	王淳新	DATE	2019.01.25			
6~30	±0.25	CHKD	李阮龍	DATE	2019.01.25	PROJECTION 	CAT. NO.	
BELOW 6	±0.20	APVD	郭遠峰	DATE	2019.01.25	UNIT:mm	KMCX4DR2V0A11	
DIMENSION	TOLERANCE	KUNMING ELECTRONICS CO.,LTD.					DWN.NO.	1/1
							A-CX4DR2V0A11	001

1 2 3 4 5 6

REVISIONS					
LTR	DESCRIPTION	DATE	REV.	CHKD.	APVD.



RECOMMEND P.C.BOARD LAYOUT
TOLERANCES : ±0.03

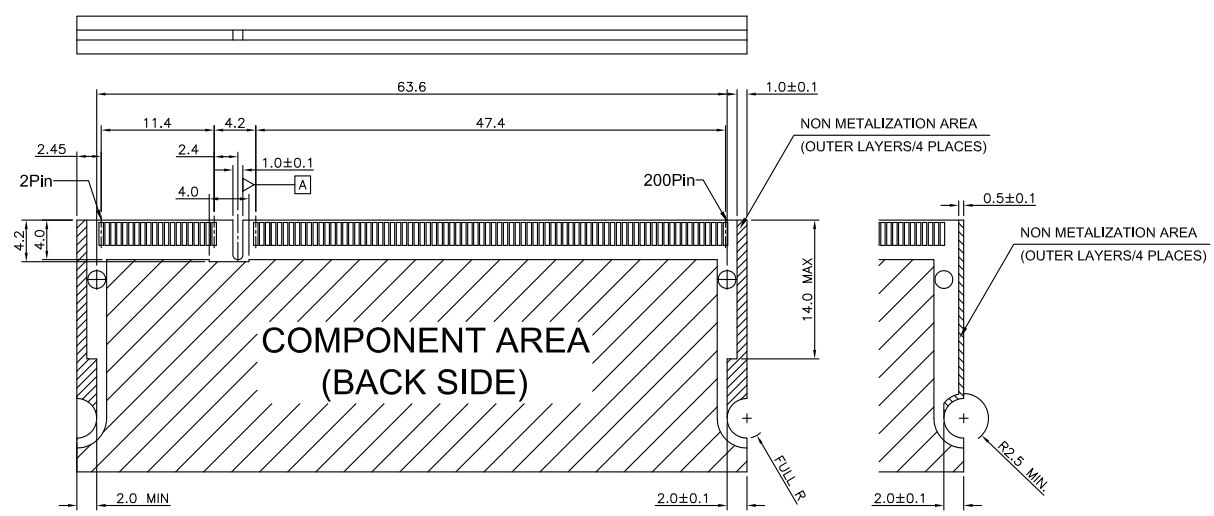
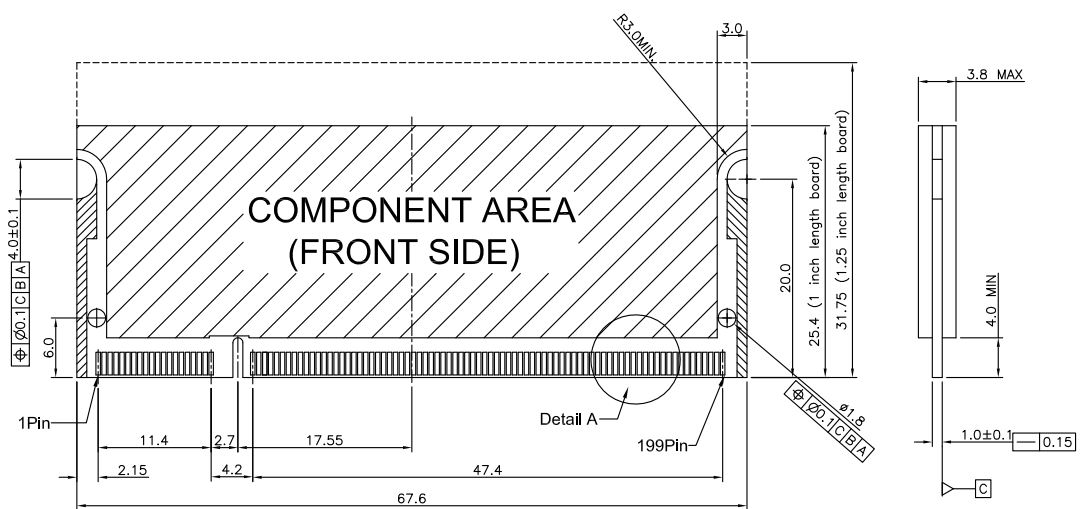


RECOMMEND SOCKET LAYOUT DIMENSIONS

120~315	±0.50	DWN	王淳新	DATE	2019.01.25	SCALE 1.6/1	NAME SO-DIMM DDR2, Vertical, Standard Type, 0.6mm Pitch, 200Pin, 1.8V	
30~120	±0.35	DSND	王淳新	DATE	2019.01.25			PROJECTION
6~30	±0.25	CHKD	李阮龍	DATE	2019.01.25	UNIT:mm	CAT. NO.	
BELOW 6	±0.20	APVD	郭遠峰	DATE	2019.01.25		KMCX4DR2V0A11	
DIMENSION	TOLERANCE	KUNMING ELECTRONICS CO.,LTD.				DWN.NO.	1/1	
							A-CX4DR2V0A11	001

REVISIONS					
LTR	DESCRIPTION	DATE	REV.	CHKD.	APVD.

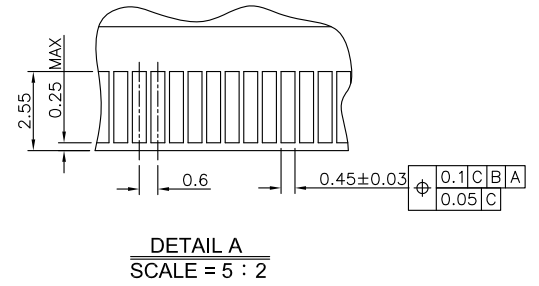
A
B
C
D
E



RECOMMEND MATING P.C.BOARD DIM.

NOTES:

1. TOLERANCES ON ALL DIMENSION ± 0.15 UNLESS OTHERWISE SPECIFIED.
2. P.C.BOARD THICKNESS APPLIES ACROSS TABS AND INCLUDES PLATING AND/OR METALIZATION.
3. FINISH OF PAD : GOLD PLATING 0.00076MIN. OVER Ni PLATING 0.002MIN.



120~315	±0.50	DWN	王淳新	DATE	2019.01.25	SCALE	1.6/1	NAME SO-DIMM DDR2, Vertical, Standard Type, 0.6mm Pitch, 200Pin, 1.8V CAT. NO. KMCX4DR2V0A11 DWN.NO. A-CX4DR2V0A11
30~120	±0.35	DSND	王淳新	DATE	2019.01.25	PROJECTION		
6~30	±0.25	CHKD	李阮龍	DATE	2019.01.25	UNIT:mm	1/1	
BELOW 6	±0.20	APVD	郭遠峰	DATE	2019.01.25		001	
DIMENSION TOLERANCE		KUNMING ELECTRONICS CO.,LTD.						

1 2 3 4 5 6

REVISIONS					
LTR	DESCRIPTION	DATE	REV.	CHKD.	APVD.

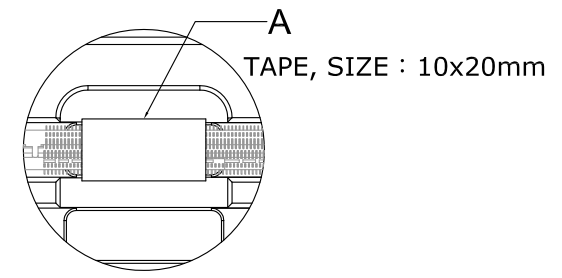
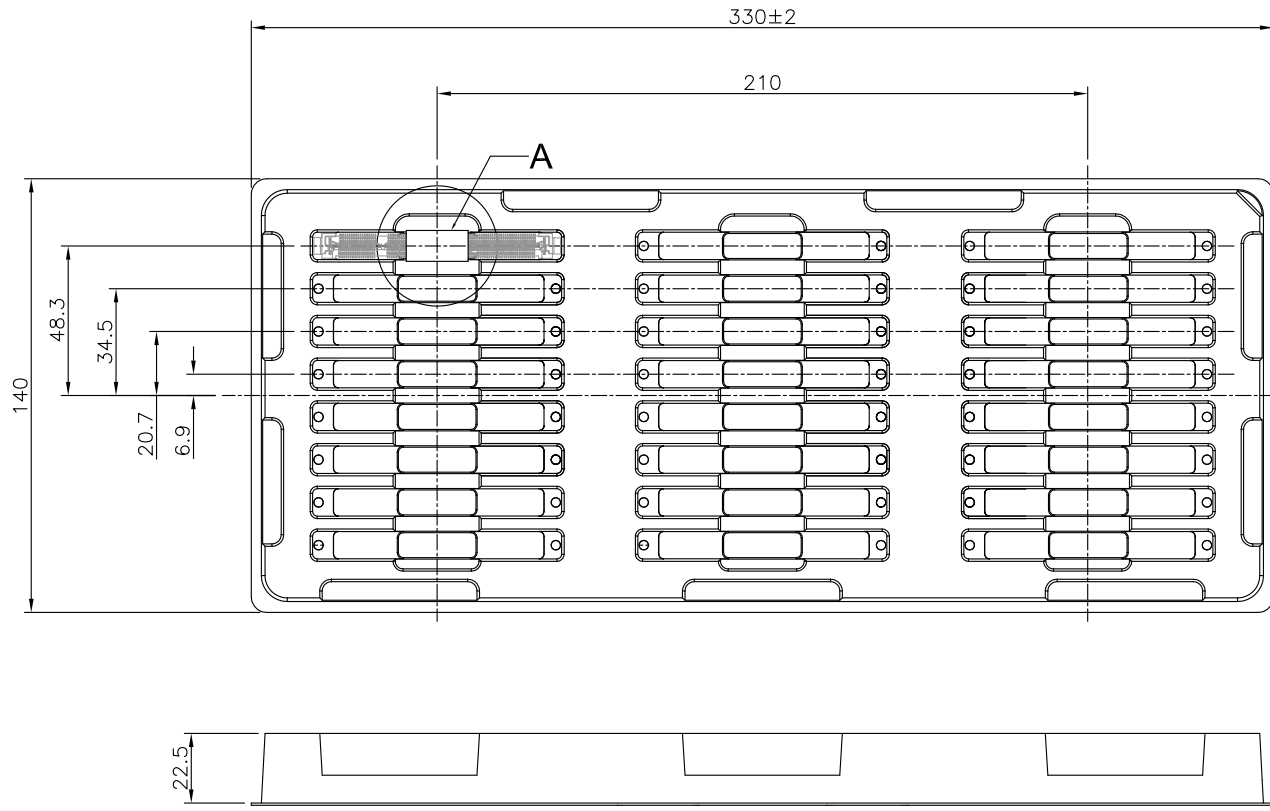
A

B

C

D

E



NOTE:

1. 24PCS /Tray
2. 144PCS /Inner Box
3. 432PCS /Carton

120~315	±0.50	DWN	王淳新	DATE	2019.01.25	SCALE 1.6/1	NAME SO-DIMM DDR2, Vertical, Standard Type, 0.6mm Pitch, 200Pin, 1.8V	
30~120	±0.35	DSND	王淳新	DATE	2019.01.25			
6~30	±0.25	CHKD	李阮龍	DATE	2019.01.25	PROJECTION ⊕ ↙	CAT. NO.	
BELOW 6	±0.20	APVD	郭遠峰	DATE	2019.01.25	UNIT:mm	KMCX4DR2V0A11	
DIMENSION	TOLERANCE	KUNMING ELECTRONICS CO.,LTD.					DWN.NO.	1/1
							P-CX4DR2V0A11	001