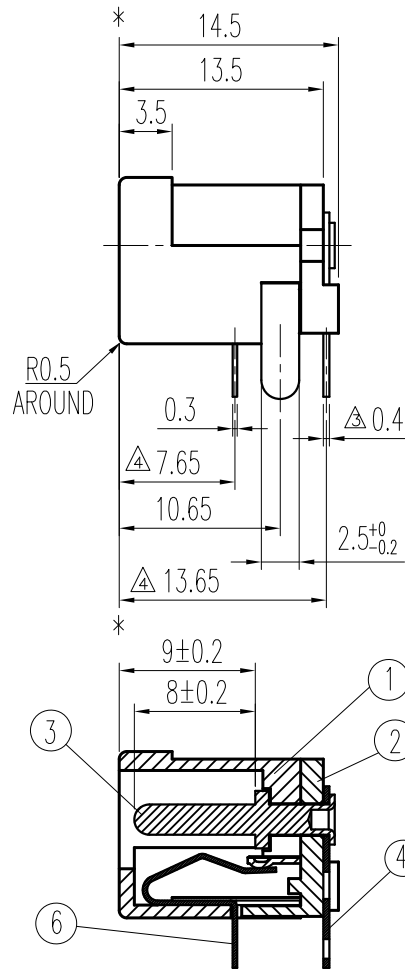


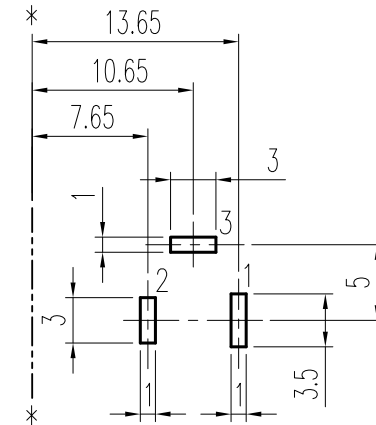
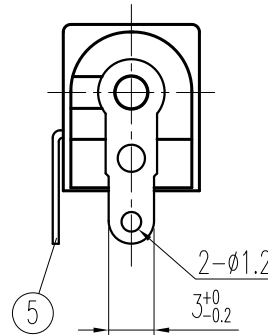
MATE PLUG

MODEL NO.	HTJ-020-04A
DIMENSION D	φ2±0.05
SCHMATIC	



Section A-A

REVISIONS					
LTR	DESCRIPTION	DATE	REV.	CHKD.	APVD.
△ x 1	材質變更	2006.11.02	楊志斌		劉望全
△ x 1	To revise the drawing by official letter.(C803001)	2010.12.08	郭益平	陸昌妹	郭素玲
△ x 2	Change thickness of the terminal(ECR No.C03100278)	2010.12.08	郭益平	陸昌妹	郭素玲
△ x 2	To add dimensions of the terminal(ECR No.C03100278)	2010.12.08	郭益平	陸昌妹	郭素玲



P.C.B Layout Dimension (Tolerance:±0.1)
(Recommend min.Dimension)(bottom view)

LTR	PART NAME	Q'TY	MATERIAL	REMARK
△ 6	TIP SPRING (2)	1	COPPER ALLOY , t=0.3	Please refer color and plating combination list.
5	BREAK TERMINAL (3)	1	BRASS , t=0.4	
4	TERMINAL (1)	1	BRASS , t=0.4 △	
3	PIN	1	COPPER	
2	COVER	1	PBT+GF UL 94V-0	
1	HOUSING	1	PBT+GF △ UL 94V-0	

DIMENSION	TOLERANCE	LTR	PART NAME	DATE	DATE	SCALE	PROJECTION	UNIT: mm	REMARK
120~315	±0.5	DWN	楊志斌	2006.11.02	2006.11.02	N/A			NAME DC POWER JACK CAT. NO. HTJ-020-04A_ DWN.NO. A-02004A
30~120	±0.35	DSND	馮靜薇	1992.09.05	1992.09.05				
6~30	±0.22	CHKD	陸昌妹/劉望全	2006.11.02	2006.11.02				
BELOW 6	±0.16	APVD	夏正雄	2006.11.09	2006.11.09				
KUNMING ELECTRONICS CO.,LTD.									1/1 C

UNLESS OTHERWISE SPECIFIED, TOLERANCE ON DECIMAL: ±0.3 ANGLES: ±5°