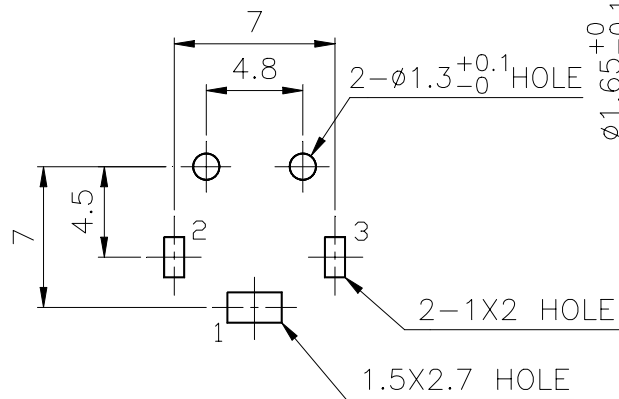
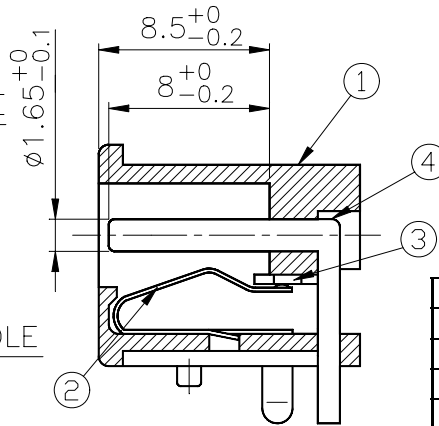


SWITCH CIRCUITY

TERMINAL NO: (1.2.3)



HOLE LAYOUT REFERENCE  
(BOTTOM VIEW)  
TOLERANCE ±0.1



SECTION A-A

UNLESS OTHERWISE SPECIFIED, TOLERANCE ON DECIMAL: ±0.3

ANGLES: ±5°

REVISIONS

LTR	DESCRIPTION	DATE	REVISED	APPROVED
△x2	更改公差	1999.05.05	ANDY	JOHNSON
△x1	電鍍與顏色表示方式改參照顏色料號	2004.05.06	JOLLY	JOHNSON

LTR	PART NAME	QTY	MATERIAL	REMARK	
4	PIN	1	BRASS	△Please refer color combination list UL-94V-0	
3	SHUNT TERMINAL	1	C2680, t=0.4		
2	TIP SPRING	1	Ti-Cu, t=0.25		
1	HOUSING	1	PBT+GF		
DSND	ANDY HO	DATE	1998.03.02	NAME DC POWER JACK CAT. No. KM02006 DWN. No. A-02006	
DWN	JOLLY	DATE	2004.05.06		
CHKD	JOHNSON	DATE	2004.05.06		
APVD	KUNG	DATE	2004.05.06		
KUNMING ELECTRONICS CO., LTD.				UNIT: mm	1/1 B