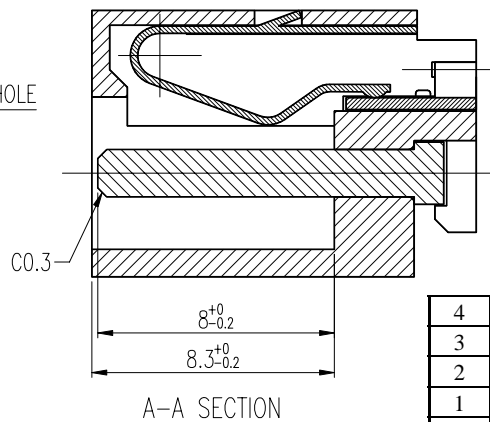
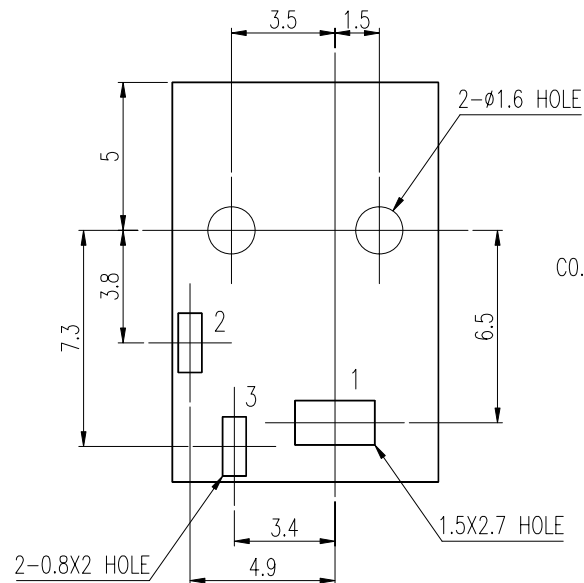


CIRCUIT DIAGRAM



UNLESS OTHERWISE SPECIFIED, TOLERANCE ON DECIMAL: ±0.3

ANGLES: ±5°

REVISIONS				
LTR	DESCRIPTION	DATE	REVISED	APPROVED
△ x 1	併圖	2004.02.23	ANDERSON	JOHNSON

4	PIN	1	BRASS	△Please refer color combination list.	
3	BREAK TERMINAL	1	C2680, t=0.4		
2	TIP SPRING	1	Ti-Cu, t=0.25		
1	HOUSING	1	PBT+15% GF		
LTR	PART NAME	QTY	MATERIAL	REMARK	
DSND	JOHNSON	DATE	1999.04.16	NAME DC POWER JACK CAT. No. KM02008	
DWN	ANDERSON	DATE	2004.02.23		
CHKD	JOHNSON	DATE	2004.02.23		
APVD	KUNG	DATE	2004.02.23		
KUNMING ELECTRONICS CO., LTD.				DWN. No.	1/1
				A-02008	B