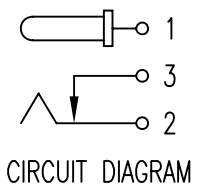
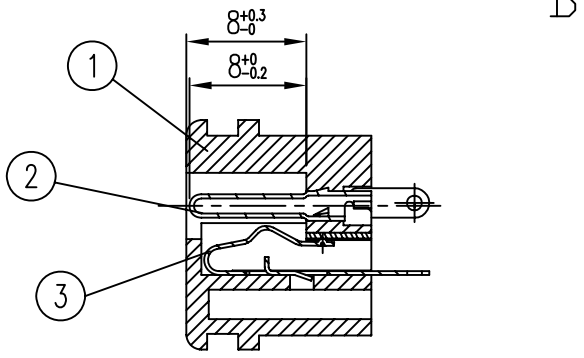
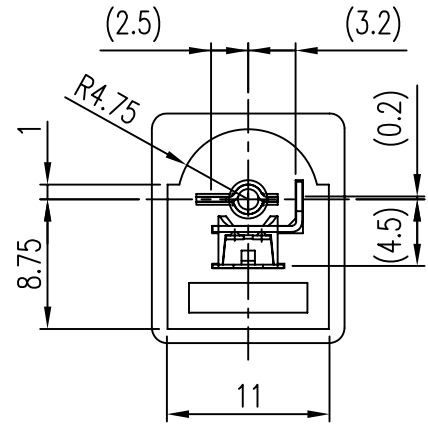
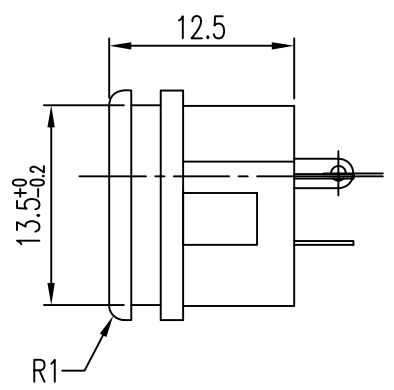
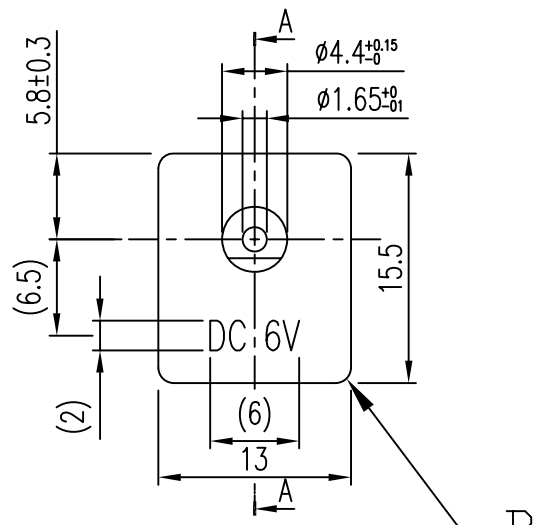
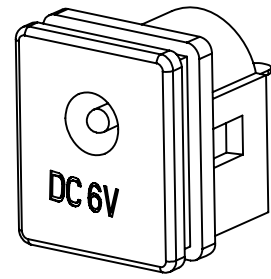
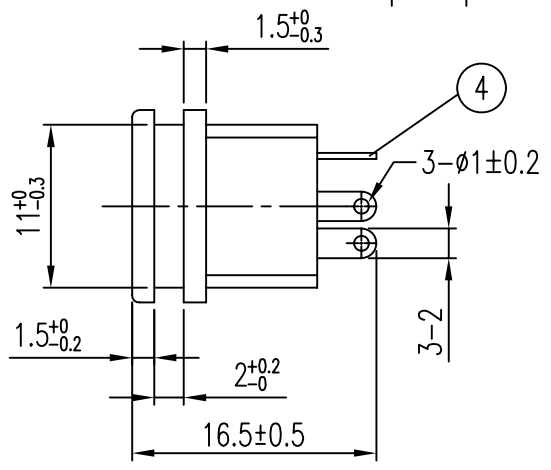


REVISIONS				
LTR	DESCRIPTION	DATE	REVISED	APPROVED

Note:  
 1: Surface B should be texturing  
 2: The dimension of the text on surface B should be: 0.25 in width and 0.2 in depth.



A-A SECTION

UNLESS OTHERWISE SPECIFIED, TOLERANCE ON DECIMAL: ±0.3

4	TERMINAL	1	C2680 , t=0.4	MBCu2-Ag0.6
3	SPRING	1	C5210 , t=0.25	MBCu2-Ag0.6
2	PIN	1	C2680 , t=0.3	MBCu2-Ag0.6
1	HOUSING	1	PBT+GF	
LTR	PART NAME	QTY	MATERIAL(THICK,COLOR)	REMARK
DWN	<i>QILIN</i>	DATE	2006.09.21	SCALE / NAME
DSND	<i>QILIN</i>	DATE	2006.09.21	PROJECTION / NAME
CHKD	<i>BILL JOHNSON</i>	DATE	2006.09.26	UNIT: mm / NAME
APVD		DATE		CAT. NO. / NAME
KUNMING ELECTRONICS CO.,LTD.				DWN.NO. / NAME
				1/1 / A