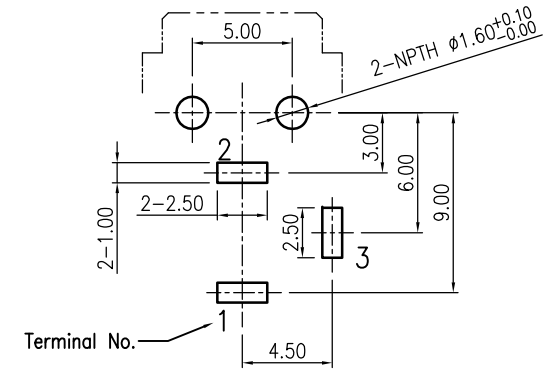
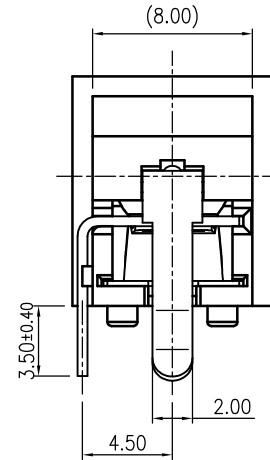
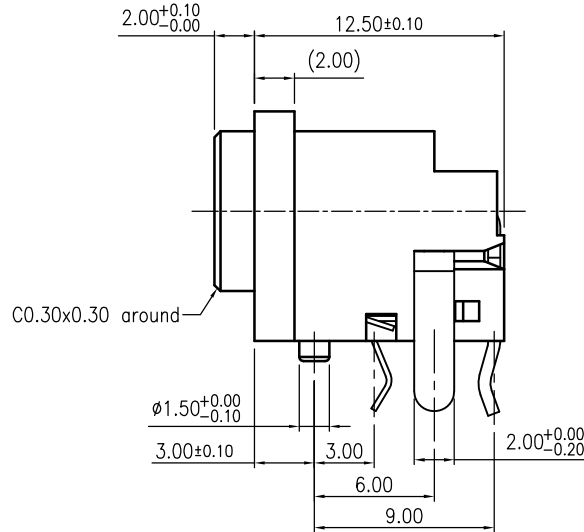
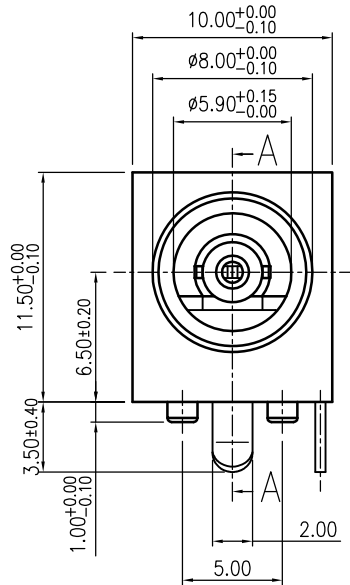


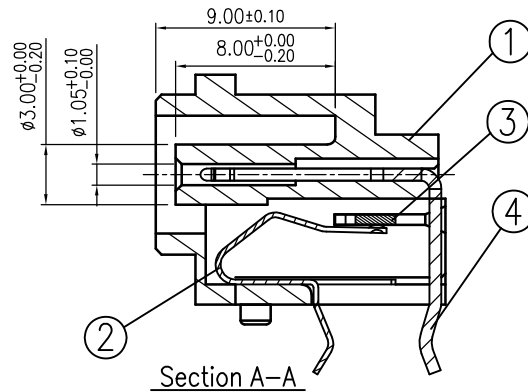
REVISIONS

LTR	DESCRIPTION	DATE	REV.	CHKD.	APVD.
△x0	To add radius(front view)(ECR No.C03110335)	2011.08.10	黃健璋	郭遠峰	郭遠峰



PCB Layout Dimension (Tolerance:±0.10)
(Recommend min. Dimension)(Bottom View)

PART NO.	KM02022A_P
CIRCUIT	



4	CONTACT (1)	1	Brass	t=0.60	Please refer color and plating combination list.
3	BREAK TERMINAL(3)	1	Brass	t=0.50	
2	SLEEVE SPRING (2)	1	Copper alloy	t=0.25	
1	HOUSING	1	PBT+CF	UL 94V-0	

LTR	PART NAME	Q'TY	MATERIAL	REMARK
120~315	±0.5	DWN	郭益平	DATE 2008.01.09
30~120	±0.35	DSND	王勇	DATE 2007.01.22
6~30	±0.22	CHKD	陸昌妹/夏正雄	DATE 2008.01.09
BELOW 6	±0.16	APVD	郭遠峰	DATE 2008.01.10

DIMENSION	TOLERANCE	KUNMING ELECTRONICS CO.,LTD.	DWN.NO. A-02022A	1/1
				F